

XR5-MAX, XS5-MAX FTR SET-UP SHEET

www.MCDRACING.com



NAME: _____
RACE: _____ DATE:/...../.....

TRACK
 SIZE: OPEN MEDIUM TIGHT
 TRACTION: HIGH MEDIUM LOW
 SURFACE: SMOOTH MEDIUM BUMPY
 TYPE: HARD PACKED SOFT DIRT CLAY
 BLUE GROOVE ASTRO TURF GRASS
 CONDITION: DRY DUSTY WET MUD
 TEMPERATURE: AIR: _____ TRACK: _____

DIFFERENTIALS

FRONT	CENTER	REAR
LSD <input checked="" type="checkbox"/> OPEN <input type="checkbox"/> OD <input type="checkbox"/>	LSD <input checked="" type="checkbox"/> SOLID <input type="checkbox"/>	LSD <input type="checkbox"/> OPEN <input checked="" type="checkbox"/> PLNT <input type="checkbox"/>
LSD Ramp 60° <input type="checkbox"/> 90° <input checked="" type="checkbox"/> 120° <input type="checkbox"/>	LSD Ramp 60° <input type="checkbox"/> 90° <input checked="" type="checkbox"/> 120° <input type="checkbox"/>	LSD Ramp 60° <input type="checkbox"/> 90° <input type="checkbox"/> 120° <input type="checkbox"/>

SHOCK SPRINGS

FRONT	REAR
<input type="checkbox"/> SOFT	<input type="checkbox"/> SOFT
<input checked="" type="checkbox"/> MEDIUM	<input checked="" type="checkbox"/> MEDIUM
<input type="checkbox"/> HARD	<input type="checkbox"/> HARD
<input type="checkbox"/> OTHER	<input type="checkbox"/> OTHER

OIL VISCOSITY

FRONT	REAR
1000	1000

PISTON HOLE SIZES

FRONT	REAR
2x2mm <input type="checkbox"/> 4x2mm <input checked="" type="checkbox"/> 2x2mm <input type="checkbox"/> 4x2mm <input type="checkbox"/>	2x2mm <input type="checkbox"/> 4x2mm <input type="checkbox"/>
3x2mm <input type="checkbox"/> 5x2mm <input type="checkbox"/> 3x2mm <input checked="" type="checkbox"/> 5x2mm <input type="checkbox"/>	3x2mm <input type="checkbox"/> 5x2mm <input type="checkbox"/>

ACKERMAN

LESS STANDARD

ANTI-ROLL BAR

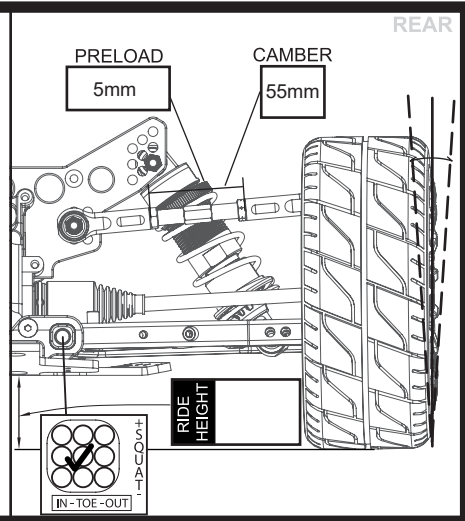
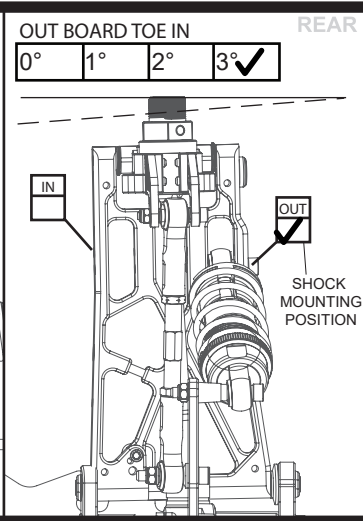
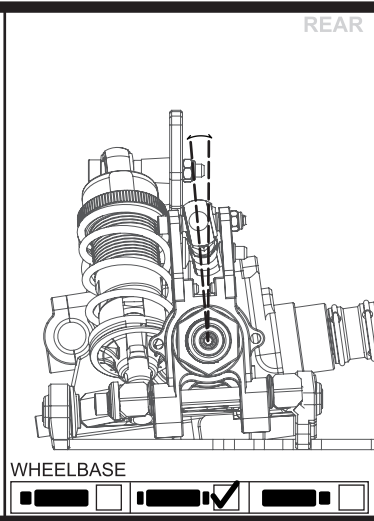
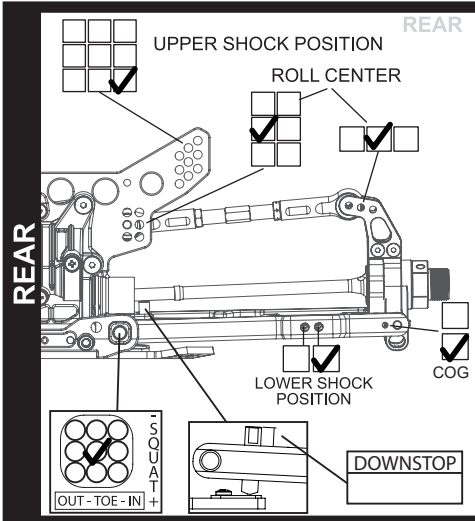
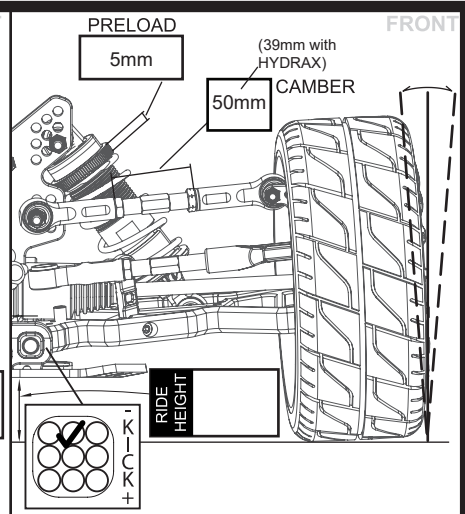
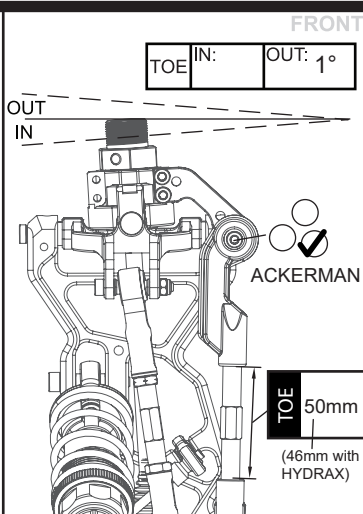
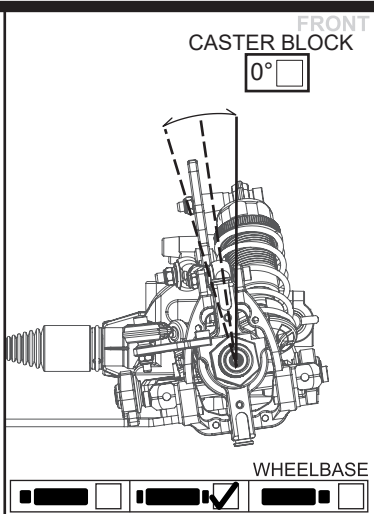
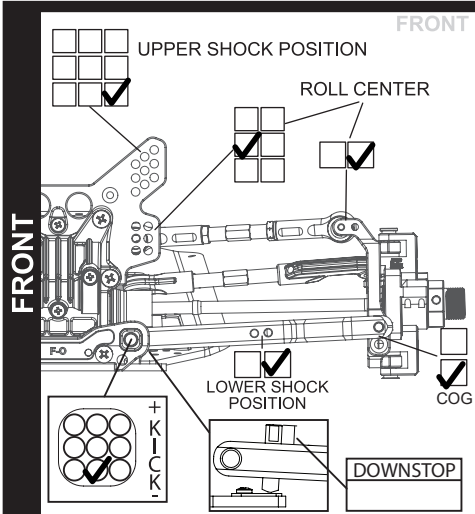
FRONT 3,5mm THICKNESS 3,5mm REAR

CHASSIS LONG SHORT

BODY

NOTES

POSITION: _____ BEST LAP: _____



TYRES

COMPOUND F R

INSERT F R

POWER UNIT

ENGINE: _____

CARBURATOR: _____

PLUG: _____

OIL: _____

CLUTCH: _____

PIPE: _____

TRANSMISSION RATIO

Final Ratio	Engine	Center Diff
6,92	26	60
7,20	25	60
7,44	25	62
7,50	24	60
7,75	24	62
7,83	23	60
7,88	24	63
8,09	23	62
8,18	22	60
8,22	23	63
8,35	23	64
8,45	22	62
8,59	22	63
8,73	22	64
8,86	21	62
8,86	22	65
9,00	21	63
9,14	21	64
9,29	21	65
9,30	20	62
9,45	20	63
9,60	20	64
9,75	20	65
9,95	19	63
10,11	19	64

www.mcdracing.com/support