



**MCD**  
*Racing*  
**X4**

# **SPARE PARTS LOCATOR**

007300V4 X4 RALLY COMPETITION

V 1.0 02/2011



# THANK YOU

Thank you for selecting MCD RRV4. This car is designed to ensure you the best driving experience possible. With its highly engineered and durable composite parts you will have a dedicated constancy and rapid responses to your commands. Please enjoy driving your rock solid MCD.



**CAUTION**

Please take attention on the instructions. Otherwise you can damage your kit and cause serious injury or death.



**CAUTION**

Please use extreme caution when operating fuel powered R/C cars. These models use use highly poisonous and flammable fuels. The cars can exceed speeds of 50 m.p.h. and cause serious self injury and damage to property.

## **Safety Guides When Operating Gasoline Engines**

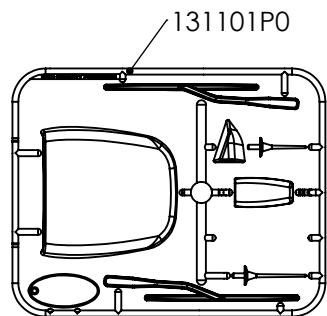
- For operating the engine a mixture of gasoline and two cycle oil are required. Please use extreme caution with gasoline.
- Running the car near open flames can cause your car to catch fire. Do not smoke while refueling your model.
- Always store fuel in a well ventilated place, Keep away from heating devices, open flames, direct sunlight, or batteries while storing.
- Gasoline is flammable and poisonous. Gasoline powered model engines emit poisonous vapours. These vapours can irritate eyes and can be highly dangerous to your health.
- For the engine you can mount on our car, you must only use a mixture of gasoline and two cycle oil as fuel .
- Operation overheats some parts such as the exhaust and the engine. Do not touch them until they have cooled.
- Before storing the car please empty the fuel tank .
- Keep fuel away from children.
- Store in a well ventilated area.
- Do not touch the moving parts while the engine is running.



**ATTENTION**

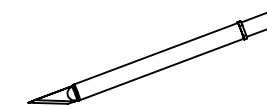
Apply lock nut cement to all metric screws.

1 2 3 4 5 6  
A  
WASH BODY SHELL BEFORE PAINTING  
WITH WASHING UP LIQUID  
REMOVE PROTECTION FILM AFTER PAINTING

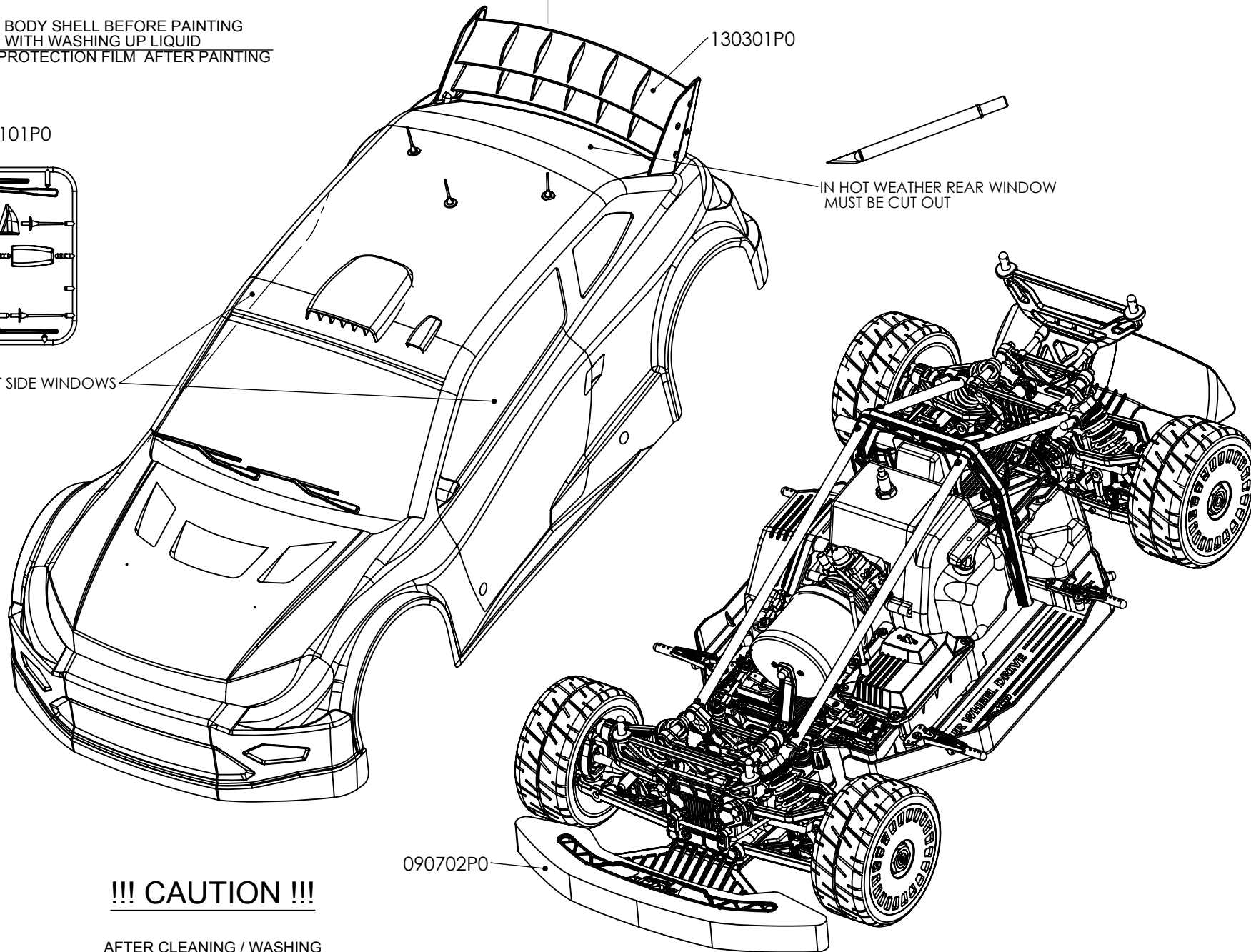


CUT OUT SIDE WINDOWS

130301P0



IN HOT WEATHER REAR WINDOW  
MUST BE CUT OUT



090702P0

**!!! CAUTION !!!**

AFTER CLEANING / WASHING  
LUBRICATE WITH CHAIN GREASE ALL DRIVE COMPONENTS  
(CENTRAL DIFF. BEWEL GEAR, DRIVE CUPS, AXELS, STEEL TRANSMISSION GEARS)

**MCD**  
Racing

DWG NO: 007300V4

GENERAL VIEW

A4

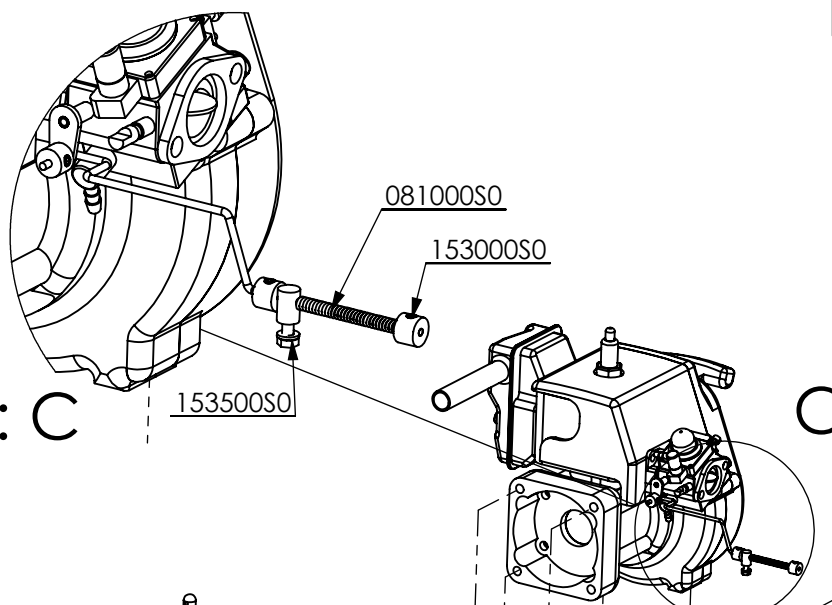
1 2 3 4 5 6  
D  
RALLY X4 COMPETITION

sheet: 3 of 12

A

A

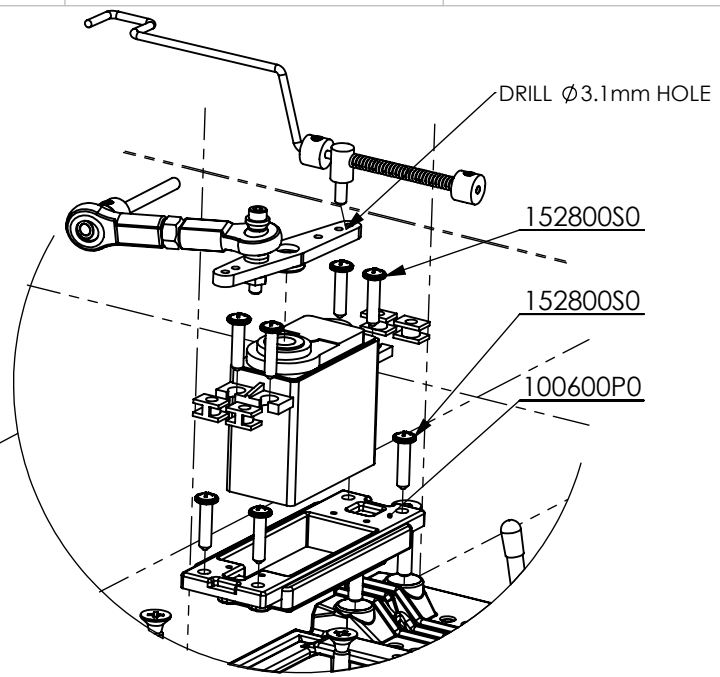
# DETAIL: C



C

B

B

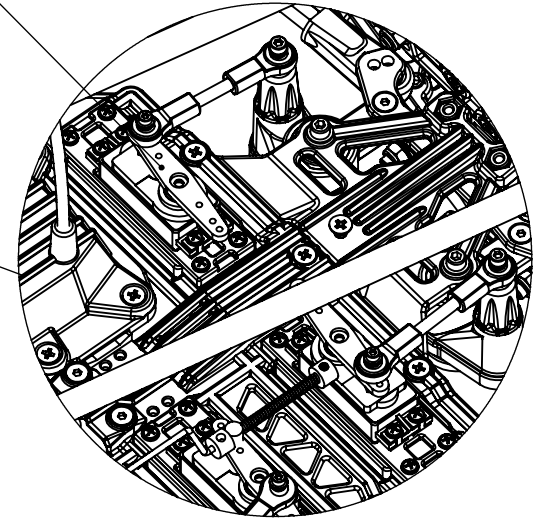
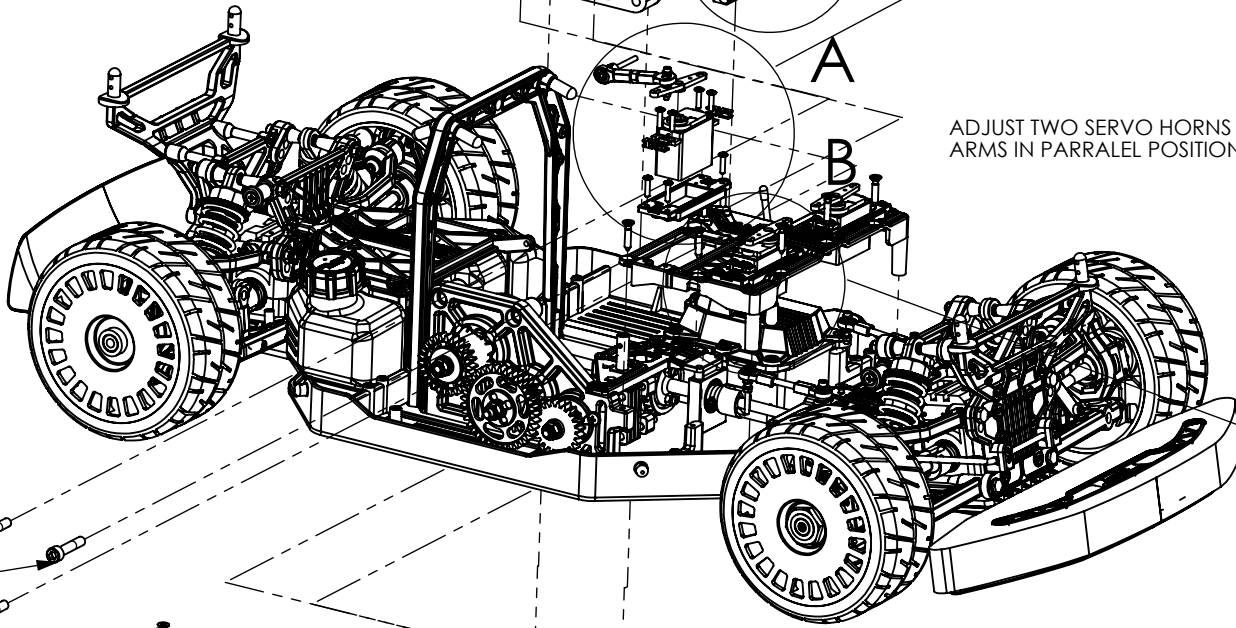


# DETAIL: A

ADJUST TWO SERVO HORNS AND STEERING ARMS IN PARRALEL POSITION

C

C



# DETAIL: B

D

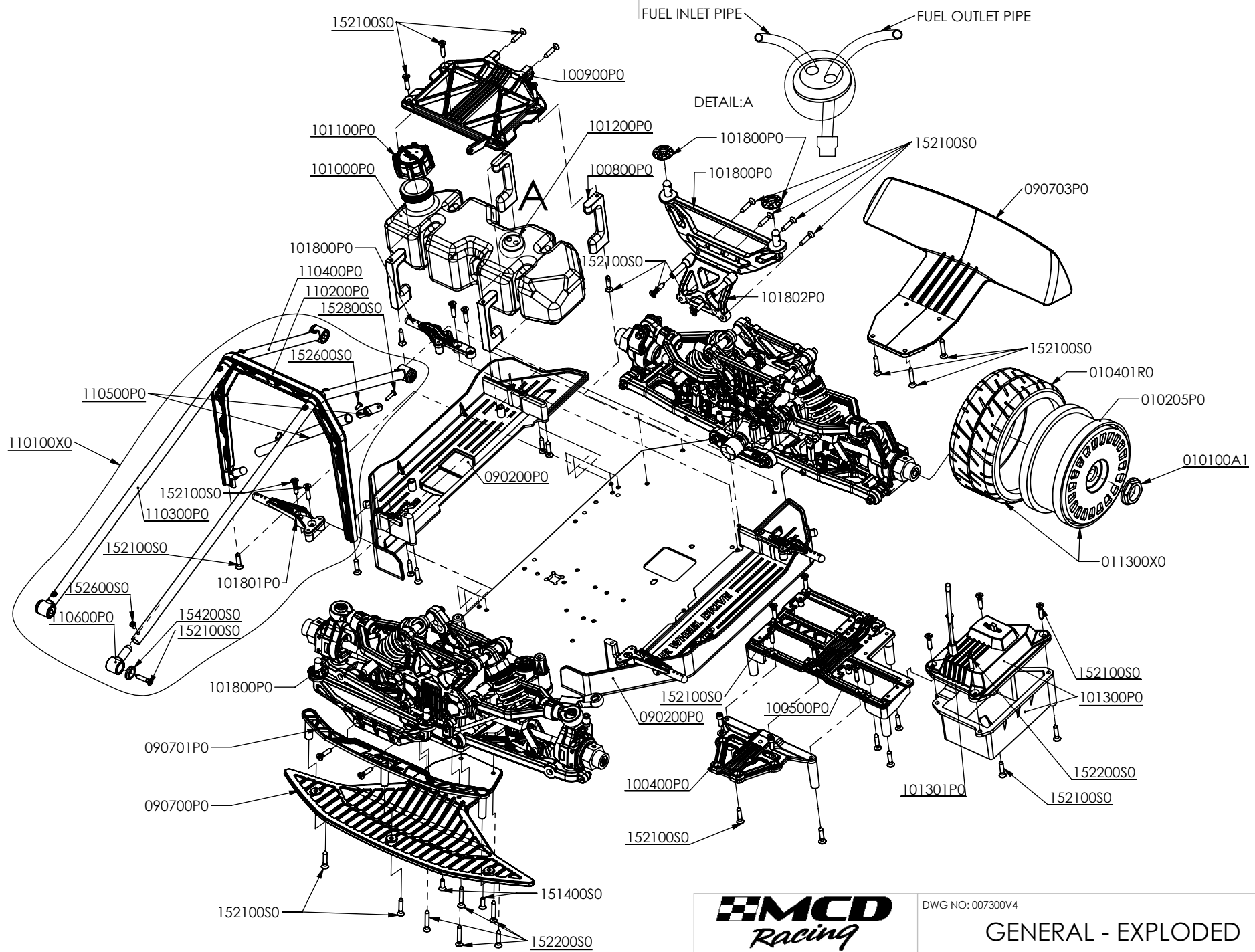
D



DWG NO: 007300V4

## ENGINE - SERVO ASS'Y

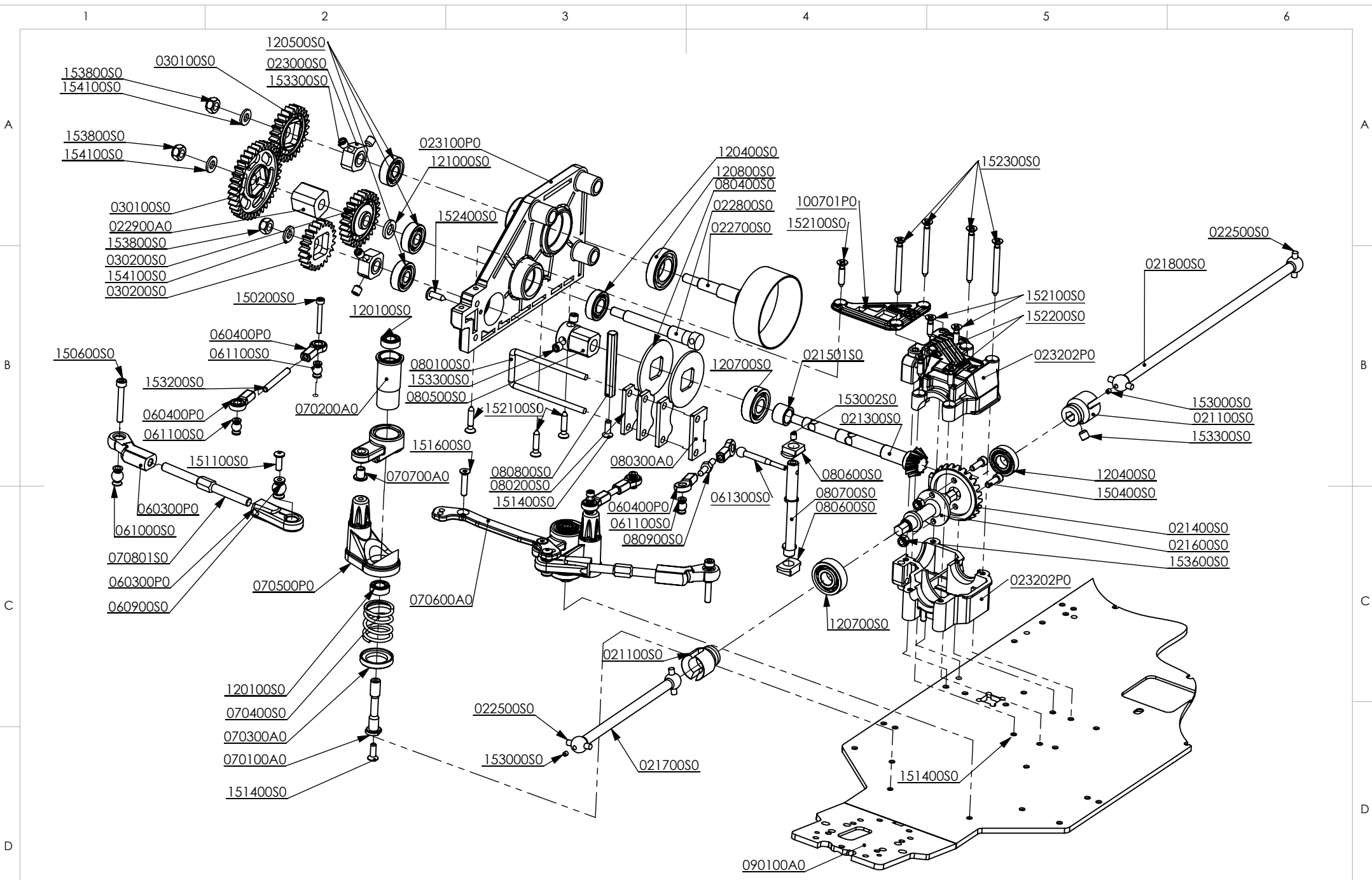
A4



DWG NO: 007300V4

GENERAL - EXPLODED

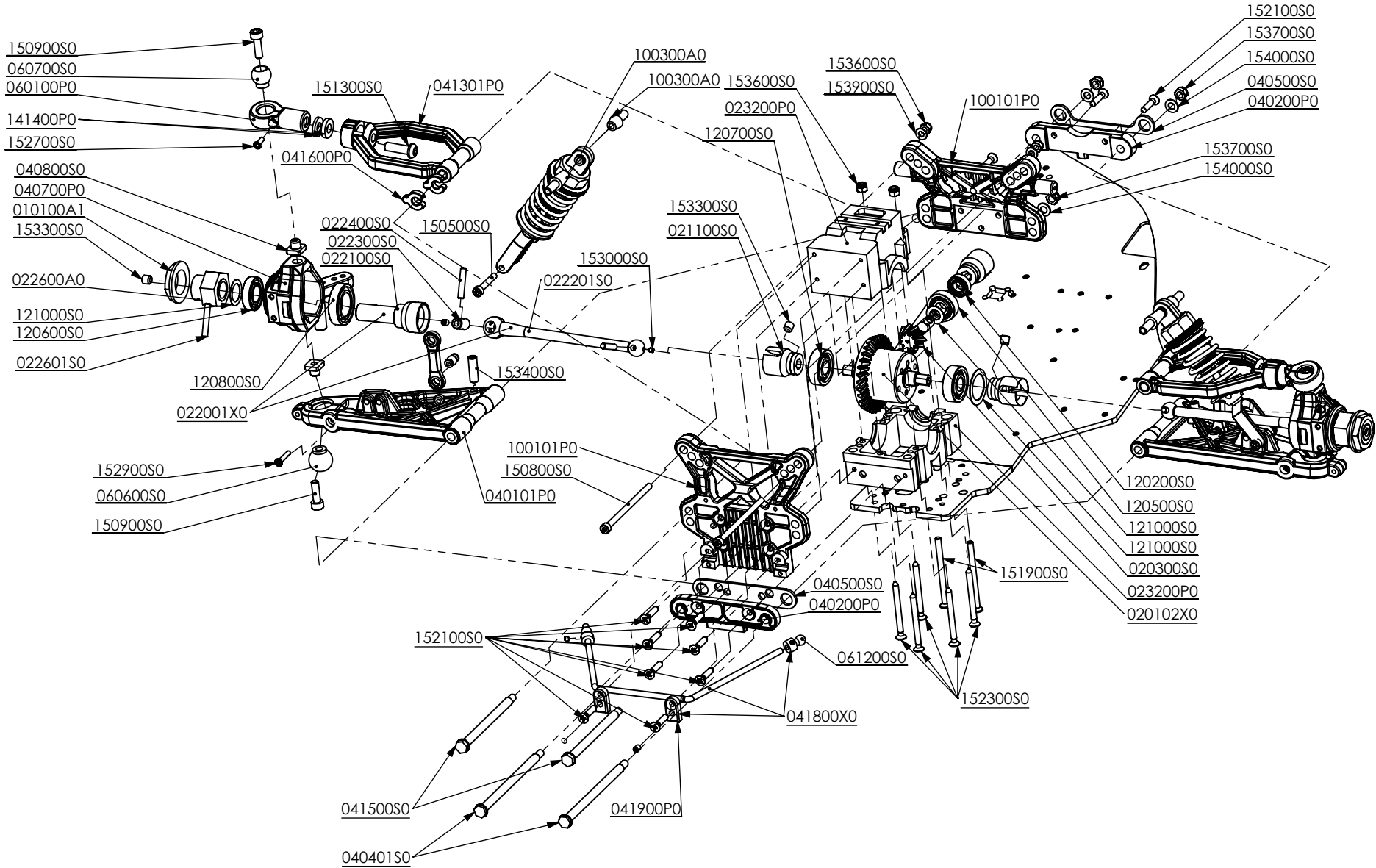
A4



DWG NO: 007300V4

CENTER - EXPLODED

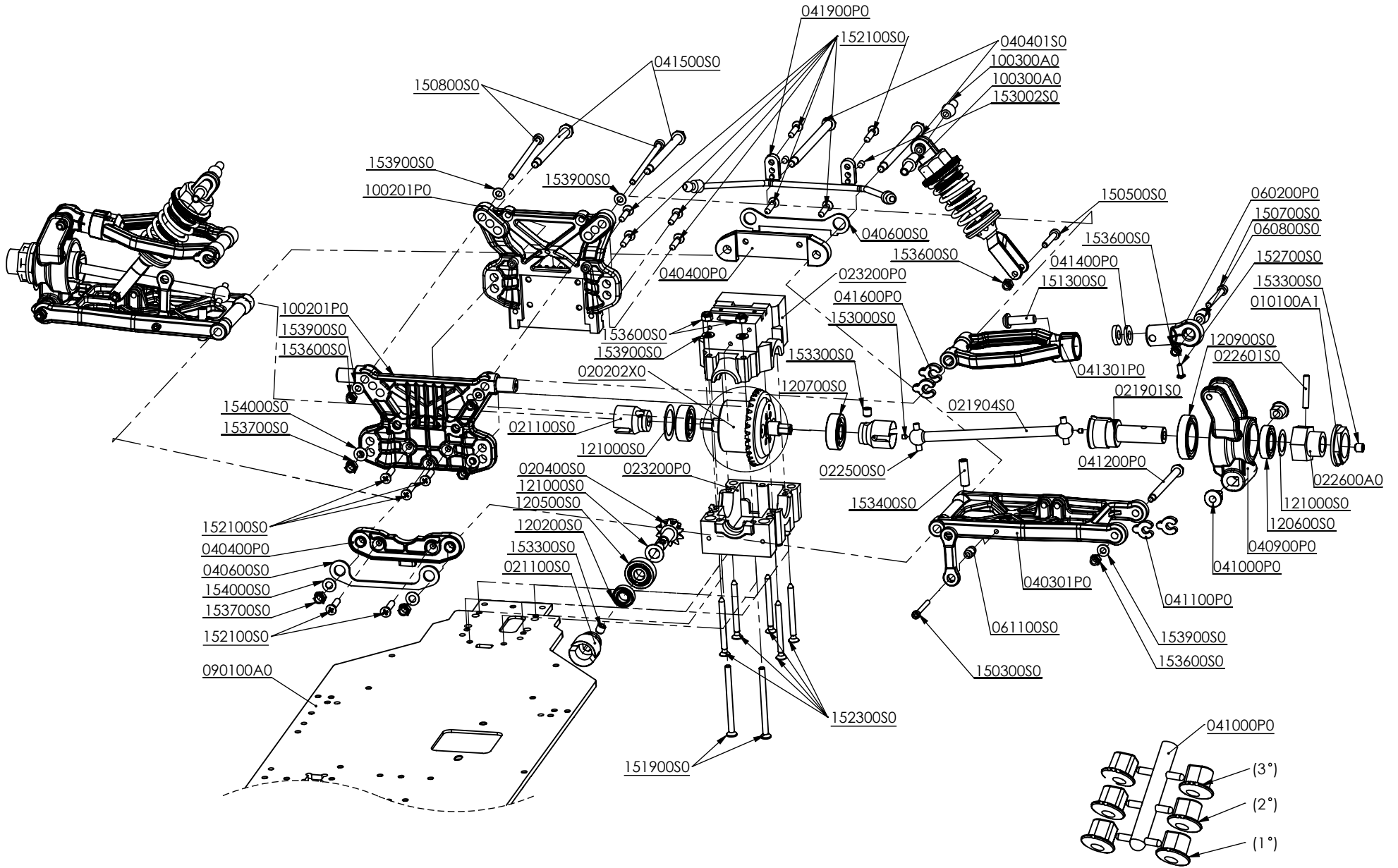
A4



DWG NO: 007300V4

# FRONT - EXPLODED

A4



DWG NO: 007300V4

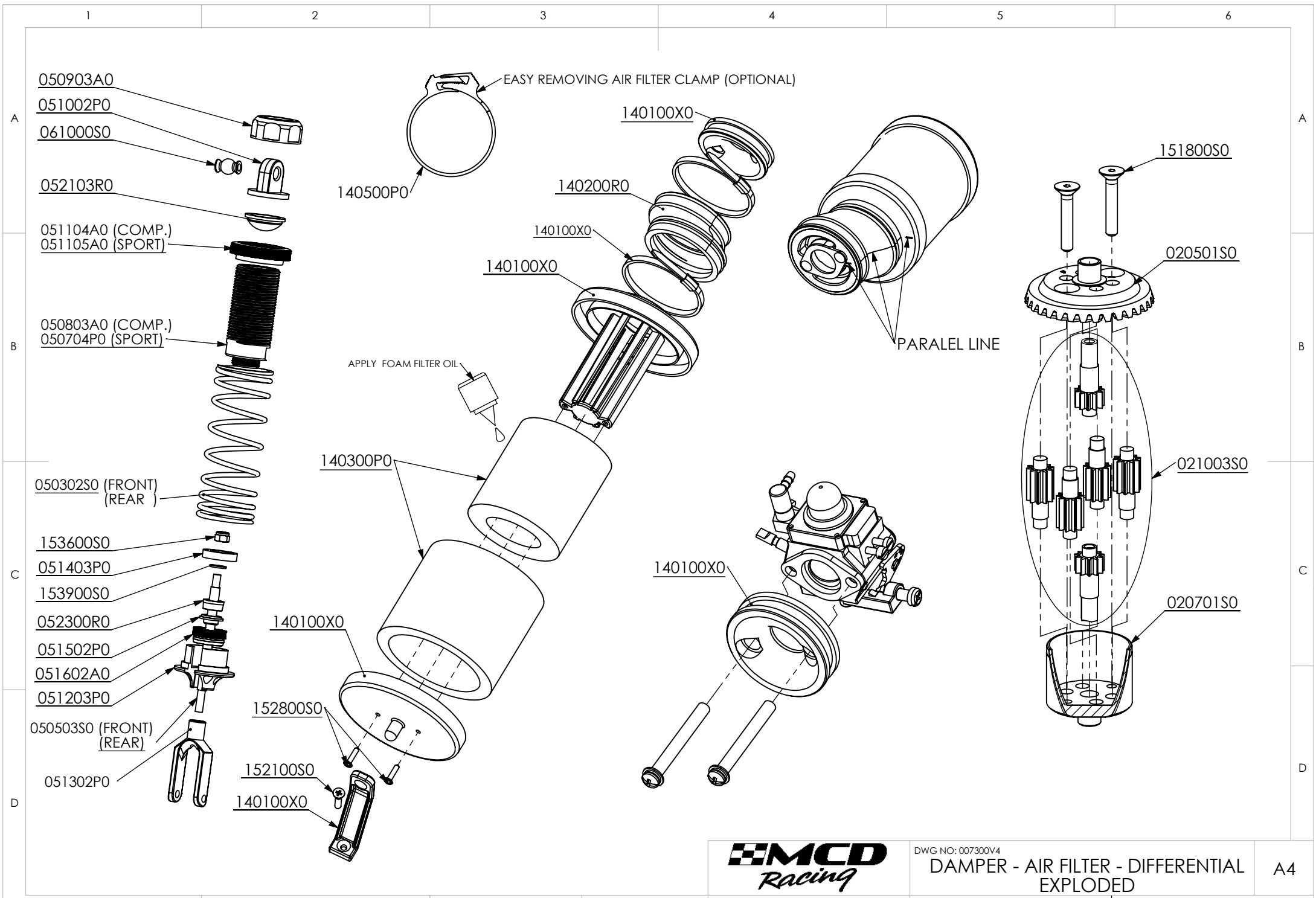
REAR - EXPLODED

A4

RALLY X4 COMPETITION

sheet: 8 of 12





DWG NO: 007300V4  
**DAMPER - AIR FILTER - DIFFERENTIAL EXPLODED**

A4

1

2

3

4

5

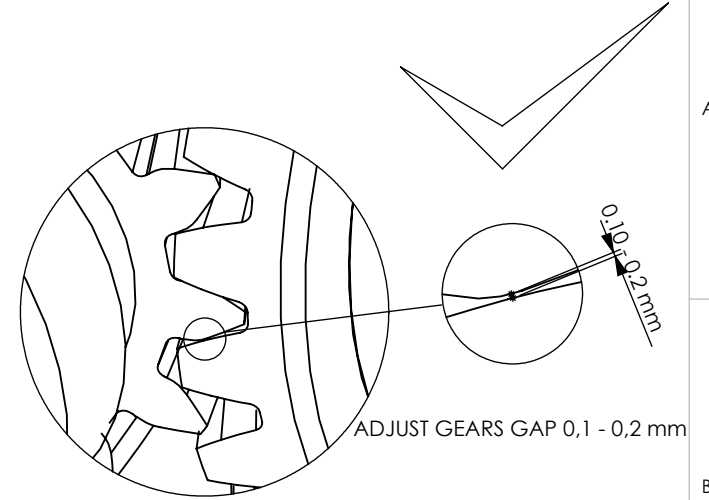
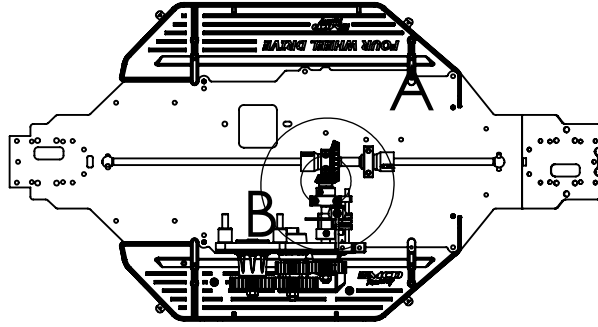
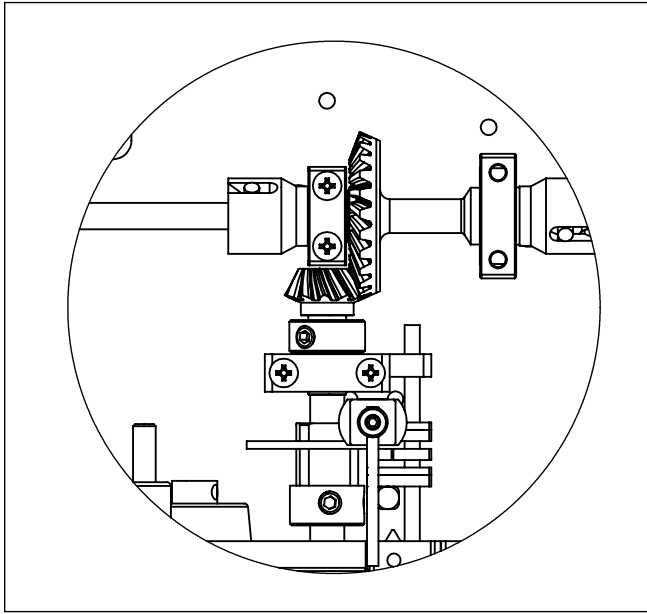
6

A

B

A

B



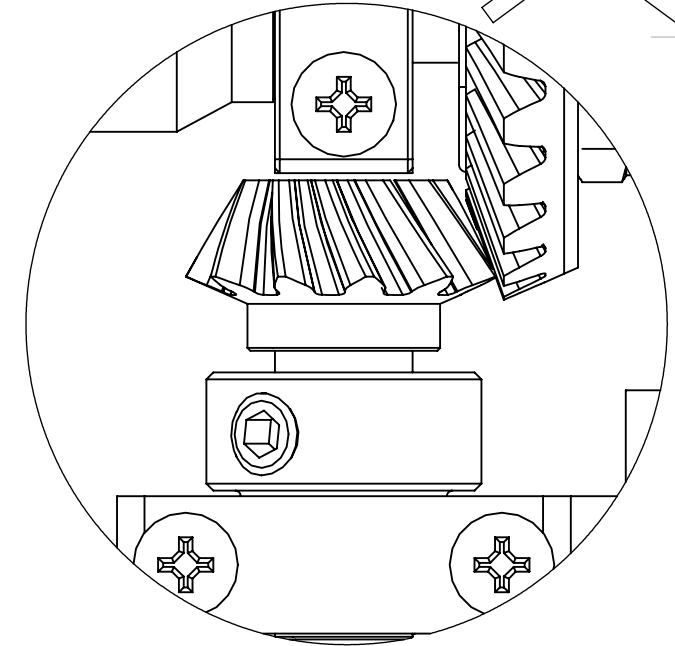
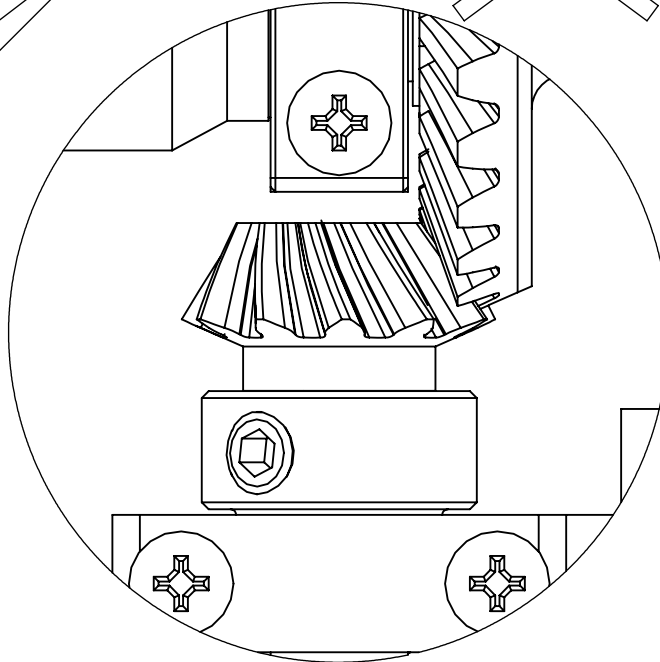
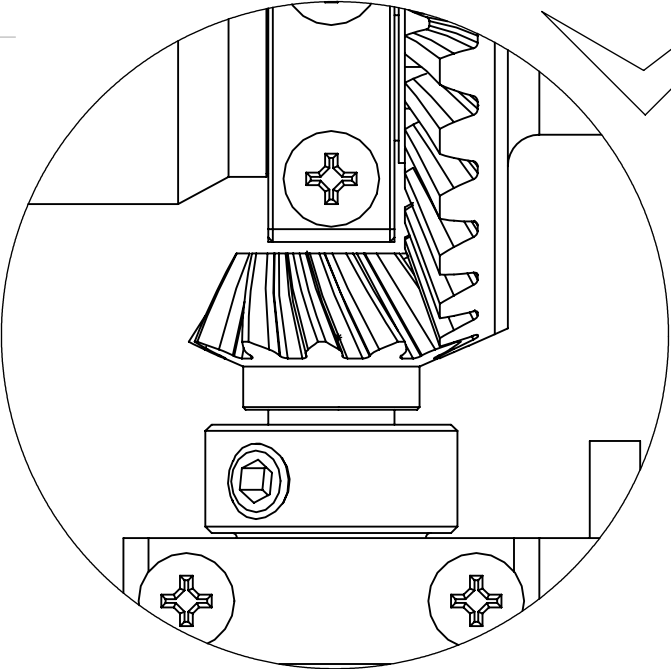
ADJUST GEARS GAP 0,1 - 0,2 mm

C

D

C

D



ADJUST CORRECT GEAR MESHING BY USING BEARING SHIMS AND LAY SHAFT SET SCREW



CENTER GEARS ASSEMBLY

A4

1

2

Product Code	Product Name	Product Code	Product Name
<b>Wheels &amp; Tyres</b>			
010100A1	Wheel Nut 18MM	021400S0	Central Diff Crown Wheel Gear Z25 For Solid Diff
010101P0	WHEEL BLACK 15 SPOKE 180MM	021401S0	Central Diff Crown Wheel Gear Z25
010102P0	WHEEL WHITE 15 SPOKE 180MM	021500S0	Central Diff Bevel Adjustment Spacer
010200P0	WHEEL BLACK DISH 155MM	021501S0	Central Diff Bevel Adjustment Spacer 01/2011
010202P0	WHEEL BLACK MONSTER 09/2010	021600S0	Central Diff Solid Bar
010203P0	WHEEL BLACK MONSTER CIRCLE INNER - OUTER SET. 09/2010	021601S0	Central Diff Solid Bar (SPORT)
010204P0	WHEEL BLACK RALLY X4	021700S0	Central Front Drive Shaft (DogBone)
010205P0	WHEEL WHITE RALLY X4	021800S0	Central Rear Drive Shaft (DogBone)
010206P0	WHEEL WHITE MONSTER 09/2010	021900S0	Rear Drive Shaft ( Dog Bone) Competition
010207P0	WHEEL WHITE MONSTER CIRCLE INNER - OUTER SET. 09/2010	021901S0	Rear Axle
010300R0	180MM BLOCK STUT TYRE WITE SPOT	021903S0	Front / Rear Drive Shaft (SPORT)
010400R0	180MM MICRO STUT TYRE WHITE SPOT	021904S0	Rear Drive Shaft Competition Rally X4
010401R0	142mm ROSSA TARMAC TYRE WHITE SPOT RALLY X4	021905S0	Front / Rear Drive Shaft (SPORT) Rally X4
010500R0	180MM BLOCK STUT TYRE ULTRA GRIP	022000X0	Front CVD Assy
010600R0	180MM Micro STUT TYRE ULTRA GRIP	022001X0	Front CVD Assy Rally X4
010700R0	155MM BLOCK STUD TYRE ULTRA GRIP	022100S0	Front Axle for CVD
010800R0	155MM Micro STUD TYRE ULTRA GRIP	022101S0	Front Axle (SPORT)
010801R0	142MM ROSSA TARMAC TYRE ULTRA GRIP RALLY X4	022200S0	Front Drive Shaft Repair Kit for CVD
010901R0	MONSTER TYRE 09/2010	022201S0	Front Drive Shaft Repair Kit for CVD Rally X4
010902P0	MONSTER TYRE FOAM 02/2011	022300S0	Front CVD Barrel
011000X0	180MM BLOCK STUD WHITE SPOT-15 SPOKE WHEEL ASSY	022400S0	Front CVD pin Q4x22MM
011100X0	180MM Micro STUD WHITE SPOT-15 SPOKE WHEEL ASSY	022500S0	Drive Shaft Pins Q4x20MM
011201X0	Monster tyre - Black wheel Assy 09/2010	022600A0	Wheel Drive Block (Hex)
011202X0	Monster tyre - White wheel Assy 09/2010	022601S0	Wheel Drive Block Pins Q4x24mm
011300X0	Rally X4 tyre - Black wheel Assy	022700S0	Engine Clutch Bell.
<b>Transmission System</b>			
020102X0	Front Planet Diff Assy Z8 062010	022800S0	Ger Box Central Transmission Shaft (B-C Gears)
020103X0	Front Planet Diff Assy Z8 (SPORT) 062010	022900A0	Ger Box Drive Block for Central Transmission Shaft (B-C Gears)
020104X0	Front LSD Diff Assy with Bearing (Optional)	023000S0	Gear Box Steel Drive Block (A-D Gears)
020202X0	Rear Planet Diff Assy Z8 062010	023001A0	Gear Box Alloy Drive Block (A-D Gears) SPORT
020203X0	Rear Planet Diff Assy Z8 (SPORT) 062010	023100P0	Engine Carrier Plate (Gear Box)
020204X0	Rear LSD Diff Assy with Bearing (Optional)	023101A0	Engine Carrier Plate (Billed Alloy CNC Mach Option)
020300S0	Front Diff Bevel gear Z10	023200P0	Diff House Upper / Lower - Front/Rear
020301S0	Front Diff Bevel gear Z10 (SPORT)	023201A0	Lower diff house Alloy (Billed CNC Machined Option)
020400S0	Rear Diff Bevel gear Z10	023300A0	Central Diff Holder Alloy Set
020401S0	Rear Diff Bevel gear Z10 (SPORT)	023500P0	Center Diff Enclosed House Upper / Lower
020501S0	(New) Front Diff Crown Wheel Gear Z32 062010	<b>Gears</b>	
020502S0	Front Diff Crown Wheel Gear Z32 LSD (Option)	030100S0	Steel Gear Z30 - Z33 (A/B) Standard
020601S0	(New) Rear Diff Crown Wheel Gear Z32 062010	030200S0	Steel Gear Z23 - Z26 (C/D) Standard
020602S0	Rear Diff Crown Wheel Gear Z32 LSD (Option)	030300S0	Steel Gear Z26 - Z37 (A/B)
020701S0	(New) Front/Rear Steel Diff Case 062010	030400S0	Steel Gear Z28 - Z35 (A/B)
020702S0	Central Steel Diff Case	030500S0	Steel Gear Z31 - Z32 (A/B)
020703S0	Steel Diff Case For LSD (Option)	030600S0	Steel Gear Z24 - Z25 (C/D)
020802S0	Center Diff. internal Gears Z7-Z10	030700S0	Steel Gear Z19 - Z30 (C/D)
021002S0	Diff. Planetary Gears Set Z7-Z8 (Hex) 062010	030800P0	Polyamid Gear Z30-33 (A/B) Standard
021003S0	Diff. Planetary Gears Set. Z7-Z8 (SPORT) 062010	030900A0	Polyamid-Alloy Gear Z22-27 (C/D) Standard
021004S0	Internal Diff. C/W gear set for LSD Z12 (Option)	031000A0	Polyamid-Alloy Gear Z19-30 (C/D) Monster Standard
021100S0	Diff Output Coupling (Hex)	031100P0	Polyamid Gear Z27-36 (A/B)
021101S0	Diff Output Coupling (SPORT)	031200P0	Polyamid Gear Z24-39 (A/B)
021200X0	Central Solid Diff Assy	031300P0	Polyamid Gear Z24 - Z25 (C/D)
021201X0	Central Solid Diff Assy (SPORT)	<b>Suspension System</b>	
021202X0	Center Differential Assy. (Option)	040100P0	Front Lower Wishbone Left/Right Set
021300S0	Central Bevel Gear Z11 (Lay Shaft)	040101P0	Front Lower Wishbone Left/Right Set Rally X4
<b>Product Code Product Name</b>			
<b>Rosse &amp; Ball Joints</b>			
060100P0	Front Upper RoseJoint Q14mm Left/Right	040200P0	Front Wishbone Bracket Inner/Outer Set
060200P0	Rear Upper RoseJoint Q10mm	040300P0	Rear Lower Wishbone Left/Right Set
060300P0	Steering - Rodarms Rose Joint Set Q10&Q8.5mm	040301P0	Rear Lower Wishbone Left/Right Set. Rally X4
060400P0	Steering / Brake Servo Rose Joint Set Q7mm	040400P0	Rear Wishbone Bracket Inner/Outer Set
060500P0	AntiRollBar Rose Joint Q7	040401S0	Lower Wishbones Hinge pins Q6x95mm
060600S0	Front Lower Wishbones BallJoint Q5x17mm	040402S0	Lower Wishbones Hinge pins Q6x93 mm (Sport)
060700S0	Front Upper BallJoint Q5x14mm	040500S0	Front Wishbone Steel Brace Inner/Outer Set
060800S0	Rear Upper BallJoint Q4x10mm	040600S0	Steel Rear Wishbone Brace Inner/Outer Set
060900S0	Steering Rod-Arm Inner BallJoint M4x10mm	040700P0	Front Hub Left/Right Set
061000S0	Shock Absorber/Steering-Hub BallJoint Q4x8.5mm	040800S0	Front Hub Steel Insert
061100S0	Servo / Lower Antirollbar Ball Joint Q3*7mm	040900P0	Rear Hub Left/Right Set (0 Deg. Toe)
061200S0	AntiRollBar Ball Joint Upper Q7 with Stop Screw	040901S0	Rear Hub Wishbone Pin (SPORT)
061300S0	Brake arm Ball Joint with brake pin	041000P0	Rear Hub Toe Adjustment Inserts 1,2,3 Deg Set L/R
<b>Steering System</b>			
070100A0	Steering Main Post	041100P0	Rear Hub Y Clips 5MM For Wheelbase Adjustment
070200A0	Steering Sprig Holder Body	041200P0	Rear Lower Wishbone-Hub Hinge Pins Q5x70mm
070300A0	Steering Servo Saver Adj. Wheel	041300P0	Upper Wishbone Front/Rear
070400S0	Steering Servo Saver Spring	041301P0	Upper Wishbone Front/Rear. Rally X4
070500P0	Steering V Arm Body Upper/Lower Set.	041400P0	Camber Adjustment Spacer Set
070600A0	Steering Bracket Alloy	041500S0	Upper Wishbones Hinge pins Q6x82mm
070700A0	Steering Bracket Trust Washers	041501S0	Upper Wishbones Hinge pins Q6x78mm (SPORT)
070800S0	Steering Wheel Turnbuckle M6	041600P0	Upper Wishbone Y Clips 6mm For Caster Adjustment
070801S0	Steering Wheel Turnbuckle M6 Rally X4	041601P0	Upper Wishbone Y Clips For Caster Adjustment. Rally X4
070900P0	Steering Main Post Trust Washer (SPORT)	041700X0	AntiRollBar Set 4MM Front/Rear Complete
<b>Shock Absorber System</b>			
<b>Brake System</b>			
080100S0	Brake U Pad Carrier	041800X0	AntiRollBar Set 4MM Front/Rear Complete. Rally X4
080200S0	Brake Pads	041900P0	AntiRollBar Tower Holders
080300A0	Brake Pad Fillers 3mm	050102X0	Front Shock Absorber Assy 07/2010
080400S0	Brake Disk	050103X0	Front Shock Absorber Assy (SPORT) 07/2010
080500S0	Brake Disk Drive Block	050104X0	Front/Rear Shock Absorber Assy. Rally X4
080600S0	Brake Square Eccentric Shaft Carrier	050105X0	Front/Rear Shock Absorber Assy (SPORT) Rally X4
080700S0	Brake Eccentric Shaft.	050202X0	Rear Shock Absorber Assy 07/2010
080800S0	Brake Pad Stopper pin ( Square)	050203X0	Rear Shock Absorber Assy (SPORT) 07/2010
080900S0	Brake Turnbuckle M4x25mm	050301S0	Front Medium Spring 07/2010
081000S0	Throttle Linkage	050302S0	Medium Spring Rally X4
		050303S0	Soft Spring Rally X4
		050304S0	Hard Spring Rally X4
		050402S0	Rear Medium Spring 07/2010
		050502S0	Front Shock Shaft Q5x76mm 07/2010
		050503S0	Front/Rear Shock Shaft Q5x50mm Rally X4

<b>Chassis, Guards &amp; Bumpers</b>		050602S0	Rear Shock Shaft Q5x86mm 07/2010
090100A0	Chassis 532-540	050702A0	Front Shock Body 07/2010
090200P0	Chassis Side Guard L/R Set	050703P0	Front/Rear Shock Body Set. (SPORT) 07/2010
090300P0	Front Bumper	050704P0	Front/Rear Shock Body Set. (SPORT) Rally X4
090400P0	Gear Guard	050802A0	Rear Shock Body 07/2010
090500P0	Side Guard Lexan Monster (PulStart Left)	050803A0	Front/Rear Shock Body Rally X4
090600P0	Side Guard Lexan Monster (Gear Right)	050902A0	Shock Absorber Upper Lid 07/2010
090700P0	Front Bumper Rally X4	050903A0	Shock Absorber Upper Lid. Rally X4
090701P0	Front Bumper Foam Holder Rally X4	051001P0	Shock Absorber Upper Plastic Joint 07/2010
090702P0	Front Bumper Foam Rally X4	051002P0	Shock Absorber Upper Plastic Joint. Rally X4
090703P0	Rear Bumper/Diffuser Rally X4	051102A0	Shock Absorber Spring Adjustment Wheel 07/2010
<b>Other, Towers, Holders &amp; Plates</b>		051103A0	Shock Absorber Spring Adjustment Wheel (SPORT) 07/2010
100100P0	Front Shock Tower Inner Outer Set	051104A0	Shock Absorber Spring Adjustment Wheel. Rally X4
100101P0	Front Shock Tower Inner Outer Set. Rally X4	051105A0	Shock Absorber Spring Adjustment Wheel (SPORT) Rally X4
100200P0	Rear Shock Tower Inner Outer Set	051202P0	Shock Spring Table 07/2010
100201P0	Rear Shock Tower Inner Outer Set. Rally X4	051203P0	Shock Spring Table Rally X4
100300A0	Tower Shock Mounting Posts Set	051300A0	Shock Absorber Fork Alloy
100400P0	Steering Upper Deck Plate	051302P0	Shock Absorber Fork Plastic. (SPORT) 07/2010
100500P0	Servo Mount Plate	051402P0	Shock Absorber Piston 07/2010
100600P0	Standard Size Servo Adapters	051403P0	Shock Absorber Piston Rally X4
100700P0	Brake Upper Deck Plate	051502P0	Shock Absorber Inner Lid 07/2010
100701P0	Brake Upper Deck Plate for Closed Center Diff. House	051602A0	Shock Absorber Lower Lid Alloy 07/2010
100800P0	Fuel Tank Holders	052102R0	Shock Absorber Air Cell Rubber 07/2010
100900P0	Fuel Tank Upper Deck Plate	052103R0	Shock Absorber Air Cell Rubber. Rally X4
101000P0	Fuel Tank.	052300R0	Shock Absorber Oil Seal Q5-11-5 07/2010
101100P0	Fuel Tank Lid.	<b>Roll Bars</b>	
101200P0	Fuel Tank I/O Holder Rubber + Hose Set	110100X0	Roll Cage Set Complete
101300P0	Radio / Battery Box	110200P0	Roll Cage U Plastic
101301P0	RX Antenna Stick	110300P0	Roll Cage Front Pipes
101400P0	Race Runner Body Holder Set	110400P0	Roll Cage Rear Pipes
101500P0	Monster Truck Body Holder Set	110500P0	Roll Cage Central Brace
101600P0	Servo Plate / Chassis Spacer For Monsters	110600P0	Roll Cage Pipe - Tower Joints
101700P0	Cheetah Body Holder Set	<b>Bearings</b>	
101800P0	Rally X4 Body Holder Set	120100S0	Ball Bearing 687 7x14x5
101801P0	Rally X4 Chassis Side Guard, Body Holder Set.	120200S0	Ball Bearing 688 8x16x5
101802P0	Rally X4 Rear Body Holder Bracket.	120300S0	Ball Bearing 6800 10x19x5
<b>Screws, Nuts &amp; Washers</b>		120400S0	Ball Bearing 6900 10x22x6
150100S0	ISB3x20 Hex Socket Head Type Screw M3x20	120500S0	Ball Bearing 608 8x22x7
150200S0	ISB3x25 Hex Socket Head Type Screw M3x25	120600S0	Ball Bearing 6901 12x24x6
150300S0	ISB3x30 Hex Socket Head Type Screw M3x30	120700S0	Ball Bearing 6000 10x26x8
150400S0	ISB4x12 Hex Socket Head Type Screw M4x12	120800S0	Ball Bearing 6903 17x30x7
150500S0	ISB4x25 Hex Socket Head Type Screw M4x25	120900S0	Ball Bearing 6804 20x32x7
150600S0	ISB4x30 Hex Socket Head Type Screw M4x30	121000S0	Bearing Adjustment Shimms Complete Set
150700S0	ISB4x35 Hex Socket Head Type Screw M4x35	<b>Roll Bars</b>	
150800S0	ISB4x70 Hex Socket Head Type Screw M4x70	110100X0	Roll Cage Set Complete
150900S0	ISB5x16 Hex Socket Head Type Screw M5x16	110200P0	Roll Cage U Plastic
151000S0	ISB6x30 Hex Socket Head Type Screw M6x30	110300P0	Roll Cage Front Pipes
151100S0	BBI4x12 Round Head Hex type Screw 4x12	110400P0	Roll Cage Rear Pipes
151200S0	BBI4x20 Round Head Hex type Screw 4x25	110500P0	Roll Cage Central Brace
151300S0	BBI6x20 Round Head Hex type Screw 6x20	110600P0	Roll Cage Pipe - Tower Joints
151400S0	IHB4x12 Countersink head type Hex Socket Screw M4x12	<b>Bearings</b>	
151500S0	IHB4x16 Countersink head type Hex Socket Screw M4x16	120100S0	Ball Bearing 687 7x14x5
151600S0	IHB4x20 Countersink head type Hex Socket Screw M4x20	120200S0	Ball Bearing 688 8x16x5
151700S0	IHB5x16 Countersink head type Hex Socket Screw M5x16	120300S0	Ball Bearing 6800 10x19x5
151800S0	IHB5x30 Countersink head type Hex Socket Screw M5x30	120400S0	Ball Bearing 6900 10x22x6
151900S0	YHB4x55 Countersink head type Cross Socket Screw M4x55	120500S0	Ball Bearing 608 8x22x7
152000S0	YHB4x13 Countersink head Cross Self Tap V4x13	120600S0	Ball Bearing 6901 12x24x6
152001S0	YHB4x16 Countersink head Cross Self Tap V4x16	120700S0	Ball Bearing 6000 10x26x8
152100S0	YHB4x20 Countersink head Cross Self Tap V4x20	120800S0	Ball Bearing 6903 17x30x7
152200S0	YHB4x25 Countersink head Cross Self Tap V4x25	120900S0	Ball Bearing 6804 20x32x7
152300S0	YHB4x50 Countersink head Cross Self Tap V4x50	121000S0	Bearing Adjustment Shimms Complete Set
152400S0	RYSB4x13 Socket Cross head Self Tap V4x13	<b>BodyShells, Decals &amp; Wings</b>	
152500S0	YSB4x13 Socket Cross head Self Tap V4x13	130100P0	Race Runner V4 Body Shell
152600S0	YSB3x7 Socket Cross head Self Tap V3x7	130200P0	Race Runner V4 Decal Set
152700S0	YSB3x9 Socket Cross head Self Tap V3x9	130300P0	V4 Rear Wing
152800S0	YSB3x13 Socket Cross head Self Tap V3x13	130301P0	Rally X4 Rear Wing Set.
152900S0	YSB3x19 Socket Cross head Self Tap V3x19	130400P0	V4 Wing Mounts
153000S0	SET3X4 Hex Socket Set Screw M3x4	130500P0	Monster Truck Body Shell.
153001S0	SET4X4 Hex Socket Set Screw M4x4	130600P0	Monster Truck Decal Set
153002S0	SET4X5 Hex Socket Set Screw M4x5	130700P0	Monster Truck Body Shell Roll Cage
153100S0	SET4X20 Hex Socket Set Screw M4x20	130800S0	Body Mount Clips
153200S0	SET4X35 Hex Socket Set Screw M4x35	130801S0	New Body Mount Clips
153300S0	SET6X6 Hex Socket Set Screw M6x6	130900P0	Cheetah V4 Body Shell
153400S0	SET6X20 Hex Socket Set Screw M6x20	131000P0	Cheetah V4 Decal Set
153500S0	SKM3 Self Lock Hex Nut M3	131100P0	Rally X4 Body Shell
153600S0	SKM4 Self Lock Hex Nut M4	131101P0	Rally X4 Body Shell Accessories
153700S0	SKM5 Self Lock Hex Nut M5	131200P0	Rally X4 Decal Set
153800S0	SKM6 Self Lock Hex Nut M6	<b>Accessories</b>	
153900S0	PM4 Plain Washer 4mm	140100X0	Off-Road Air Filter Complete
154000S0	PM5 Plain Washer 5mm	140200R0	Off-Road Air filter Hose
154100S0	PM6 Plain Washer 6mm	140300P0	Off-Road Air Filter Foam Standard
154200S0	Countersink Alloy Washer 4mm	140400P0	Off-Road Air Filter Foam Race
154300S0	Countersink Plastic Washer 4mm	140500P0	Air Filter Easy Clamp
154400S0	E-Ring Ø6mm (SPORT)	140600P0	Shock Absorber Silicon Oil 1000 ( 50ml )
154500S0	E - Ring Ø5mm (SPORT)	140700P0	Shock Absorber Silicon Oil 1500 ( 50ml )
		140800P0	Shock Absorber Silicon Oil 2000 ( 50ml )
		140900P0	Shock Absorber Silicon Oil 2500 ( 50ml )
		141000P0	Shock Absorber Silicon Oil 3000 ( 50ml )