

RR5-MAX PRO & RR5 FT SET-UP SHEET

www.MCDRACING.com

TRACK

SIZE: OPEN MEDIUM TIGHT

TRACTION: HIGH MEDIUM LOW

SURFACE: SMOOTH MEDIUM BUMPY

TYPE: HARD PACKED SOFT DIRT CLAY
 BLUE GROOVE ASTRO TURF GRASS

CONDITION: DRY DUSTY WET MUD

TEMPRATURE: AIR: _____ TRACK: _____

DIFFERENTIALS

FRONT			CENTER		REAR	
LSD	OPEN	OD	LSD	SOLID	LSD	OPEN
<input type="checkbox"/>	<input type="checkbox"/>	<input type="checkbox"/>	<input type="checkbox"/>	<input type="checkbox"/>	<input type="checkbox"/>	<input type="checkbox"/>
LSD Ramp 60° 90° 120°		LSD Ramp 60° 90° 120°		LSD Ramp 60° 90° 120°		
<input type="checkbox"/>	<input type="checkbox"/>	<input type="checkbox"/>	<input type="checkbox"/>	<input type="checkbox"/>	<input type="checkbox"/>	

SHOCK SPRINGS

FRONT	REAR
<input type="checkbox"/>	<input type="checkbox"/>
<input type="checkbox"/>	<input type="checkbox"/>
<input type="checkbox"/>	<input type="checkbox"/>
<input type="checkbox"/>	<input type="checkbox"/>
OTHER	

OIL VISCOSITY

FRONT	REAR
<input type="checkbox"/>	<input type="checkbox"/>
<input type="checkbox"/>	<input type="checkbox"/>
<input type="checkbox"/>	<input type="checkbox"/>
<input type="checkbox"/>	<input type="checkbox"/>

PISTON HOLE SIZES

FRONT	REAR
2x2mm <input type="checkbox"/>	2x2mm <input type="checkbox"/>
4x2mm <input type="checkbox"/>	4x2mm <input type="checkbox"/>
3x2mm <input type="checkbox"/>	5x2mm <input type="checkbox"/>
5x2mm <input type="checkbox"/>	3x2mm <input type="checkbox"/>

ACKERMAN

LESS STANDARD

ANTI-ROLL BAR

FRONT THICKNESS REAR

CHASSIS BODY

LONG SHORT

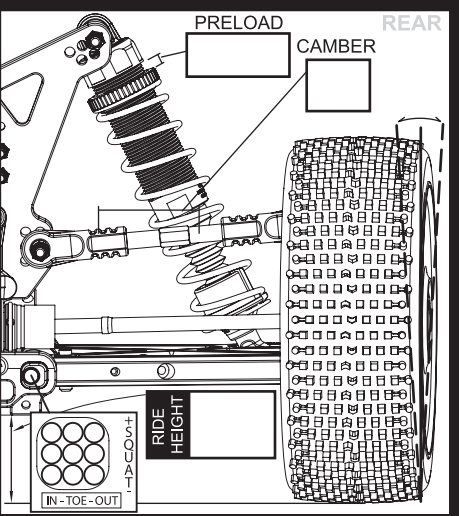
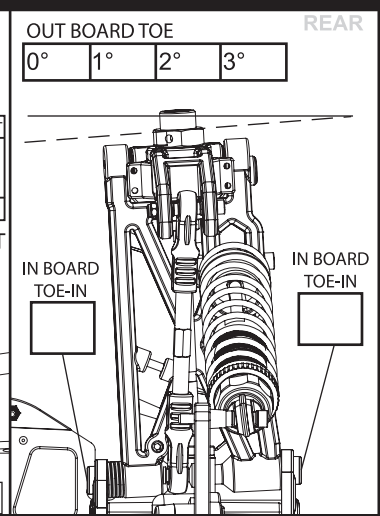
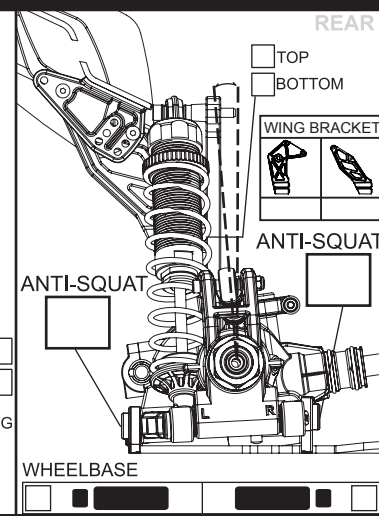
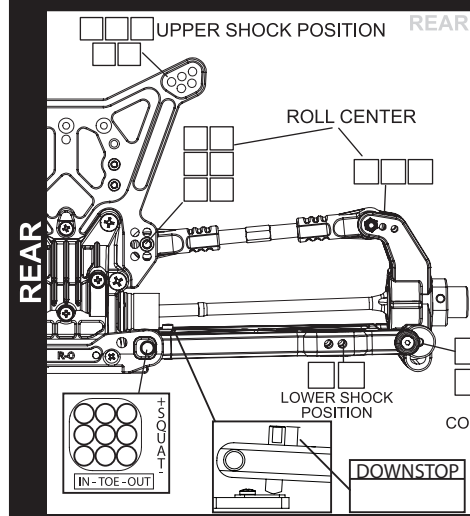
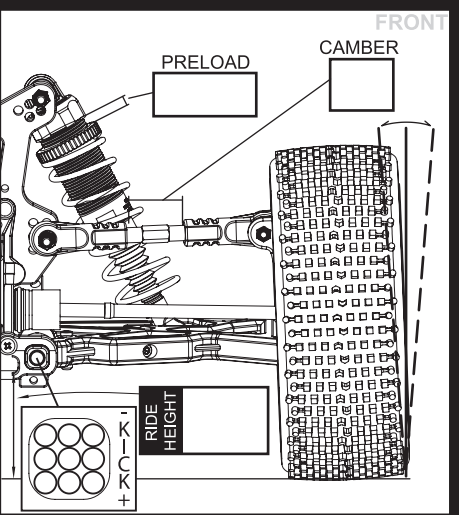
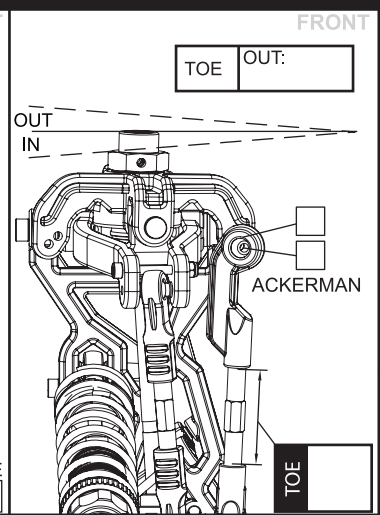
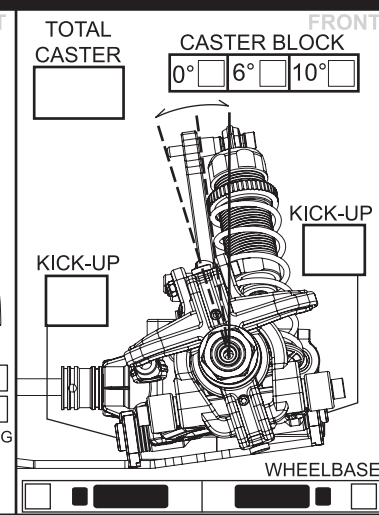
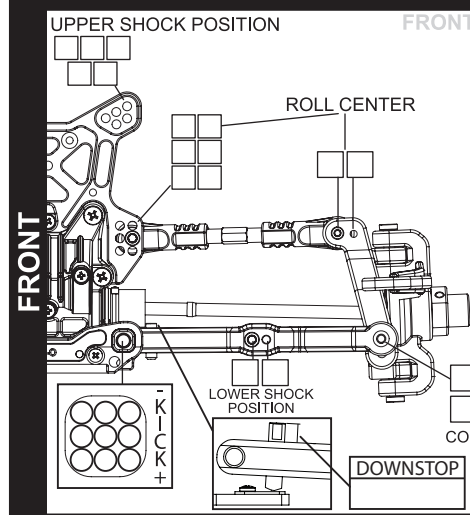
NOTES

www.mcdracing.com/support

POSITION: _____ BEST LAP: _____

NAME: _____

RACE: _____ DATE:/...../.....



TYRES

Micro-Stud	F <input type="checkbox"/>	R <input type="checkbox"/>
Block-Stud	<input type="checkbox"/>	<input type="checkbox"/>
Micro-Stud	<input type="checkbox"/>	<input type="checkbox"/>
Astro-Grip	<input type="checkbox"/>	<input type="checkbox"/>
Dirt-Max	<input type="checkbox"/>	<input type="checkbox"/>
Astro-Max	<input type="checkbox"/>	<input type="checkbox"/>
OTHER:	_____	
COMPOUND	F <input type="checkbox"/>	R <input type="checkbox"/>
INSERT	F <input type="checkbox"/>	R <input type="checkbox"/>

POWER UNIT

ENGINE: _____

CARBURATOR: _____

PLUG: H L

OIL: _____

CLUTCH: _____

PIPE: _____

TRANSMISSION RATIO

Final Ratio	Engine	Center Diff
6,92	26	60
7,20	25	60
7,44	25	62
7,50	24	60
7,75	24	62
7,83	23	60
7,88	24	63
8,09	23	62
8,18	22	60
8,22	23	63
8,35	23	64
8,45	22	62
8,59	22	63
8,73	22	64
8,86	21	62
8,86	22	65
9,00	21	63
9,14	21	64
9,29	21	65
9,30	20	62
9,45	20	63
9,60	20	64
9,75	20	65
9,95	19	63
10,11	19	64