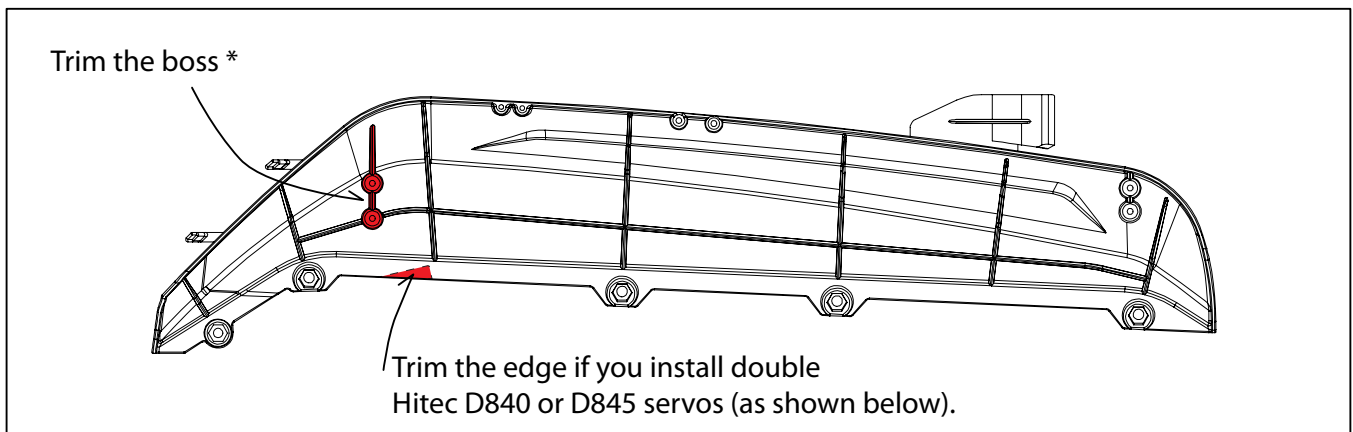


Modifications for the right side guard (400201) to fit the new servo tray (475501)

For assembling the new servo tray:



*The boss is a feature found on side guards manufactured before 2018.

To be able to use Hitec D840 & D845 servos:

