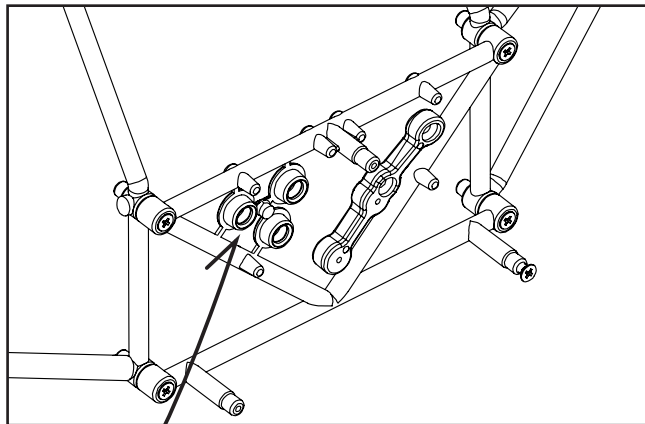
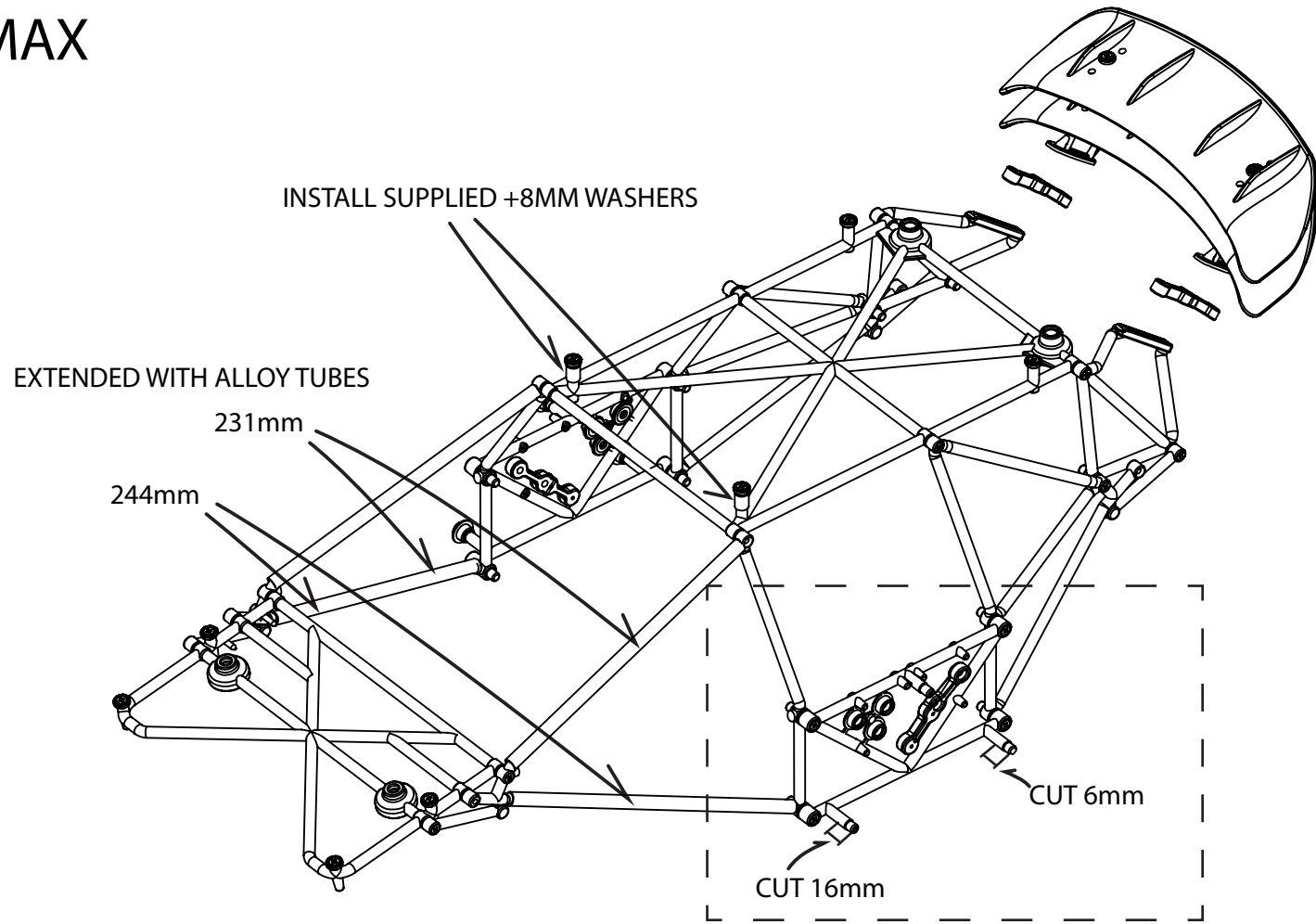
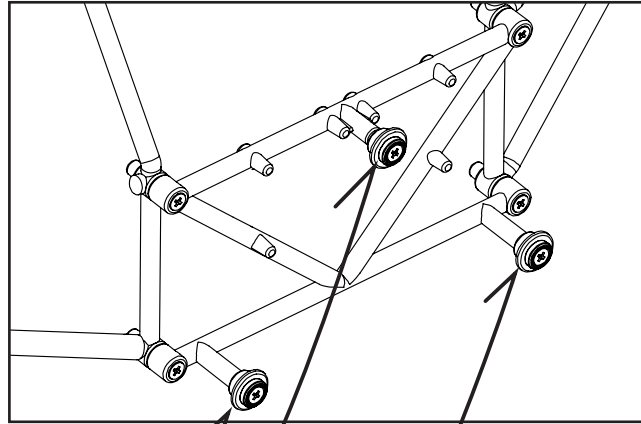


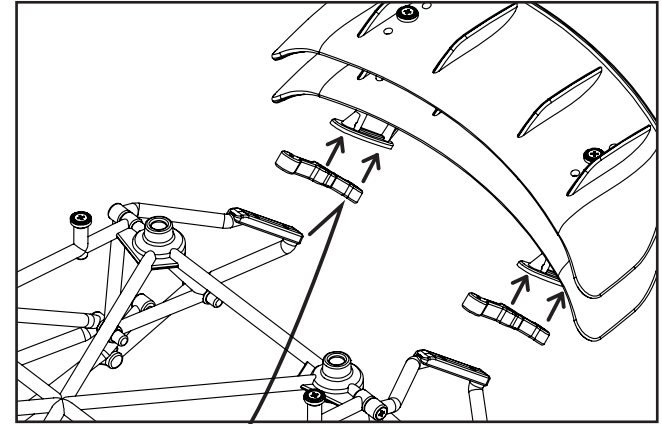
XR-5 MAX



REMOVE THE REAR WING BRACKET



FIX THE WASHERS



FIX THE WING BRACKETS ON THE BODY SHELL FIRST. USE 4X20mm SCREWS