

DIFFERENTIALS					
FRONT		CENTER		REAR	
LSD	OPEN	LSD	OPEN	LSD	OPEN
	<input checked="" type="checkbox"/>		<input checked="" type="checkbox"/>		<input checked="" type="checkbox"/>
LSD Ramp	60° 90° 120°	LSD Ramp	60° 90° 120°	LSD Ramp	60° 90° 120°
	<input type="checkbox"/> <input type="checkbox"/> <input type="checkbox"/>		<input type="checkbox"/> <input type="checkbox"/> <input type="checkbox"/>		<input type="checkbox"/> <input type="checkbox"/> <input type="checkbox"/>

SHOCK SPRINGS		
FRONT	SOFT	REAR
<input checked="" type="checkbox"/>	<input type="checkbox"/>	<input checked="" type="checkbox"/>

TYRES		
Xross-Max	<input checked="" type="checkbox"/> F	<input checked="" type="checkbox"/> R
COMPOUND	<input checked="" type="checkbox"/> F <input type="checkbox"/> W	<input type="checkbox"/> R <input type="checkbox"/> W

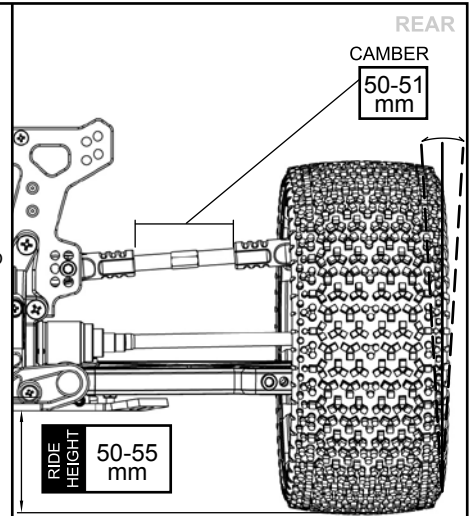
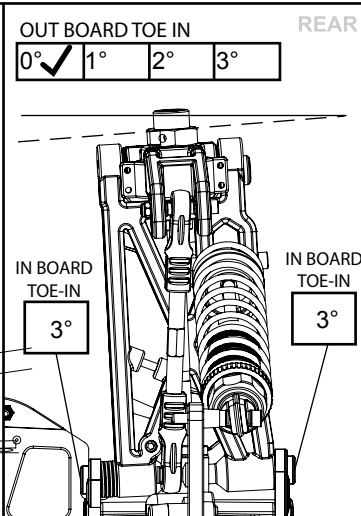
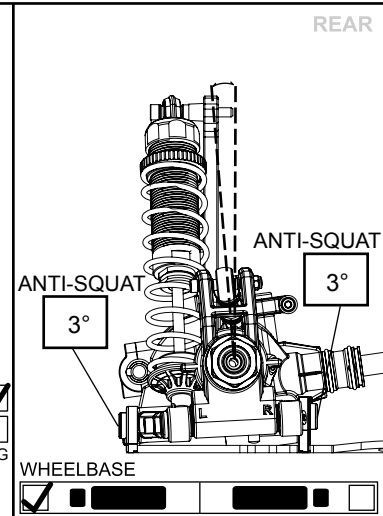
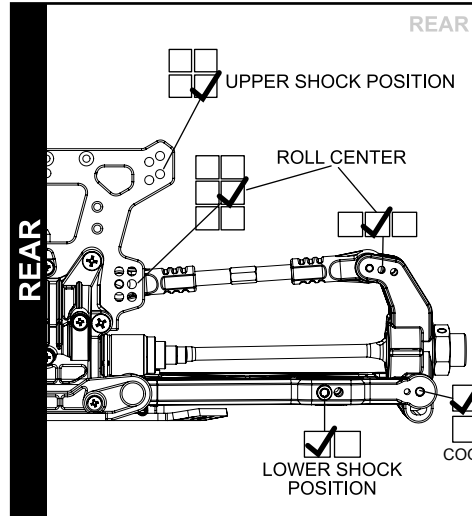
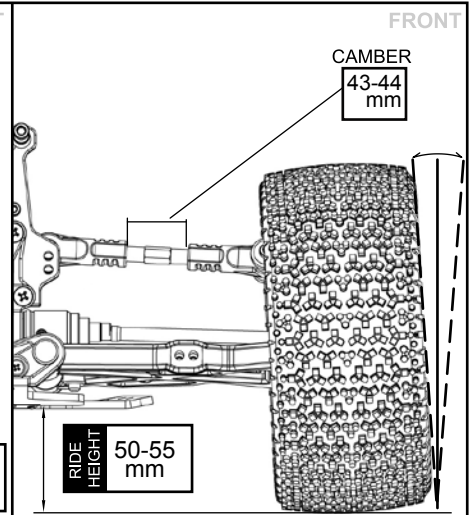
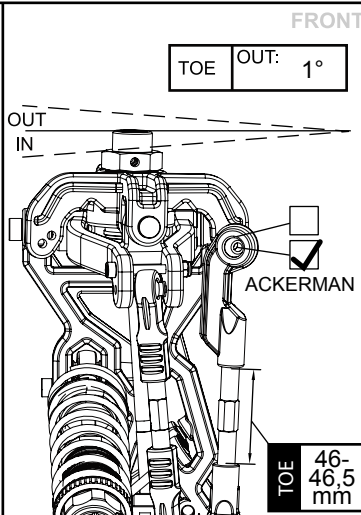
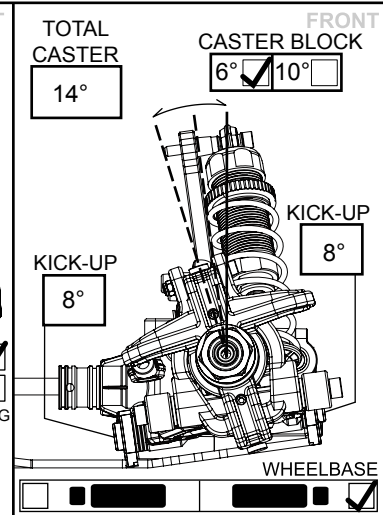
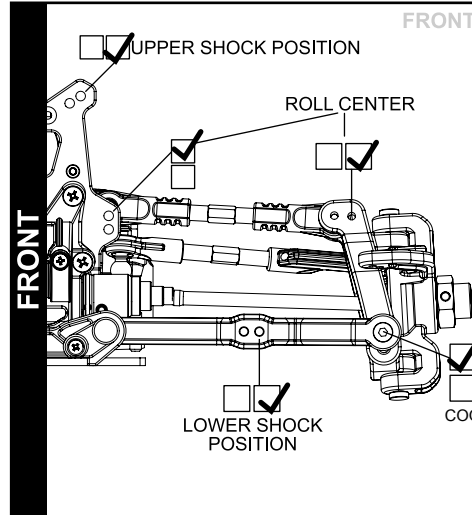
OIL VISCOSITY	
FRONT	REAR
1000	1000

PISTON HOLE SIZES	
FRONT	REAR
3x2mm	4x2mm

ACKERMAN	
short	

ANTI-ROLL BAR			
FRONT	THICKNESS	REAR	

TRANSMISSION RATIO				
	Final Ratio	Engine	Center Diff	
	1	7.44	25	62
	2	7.75	24	62
	3	7.88	24	63
	4	8.09	23	62
	5	8.22	23	63
	6	8.35	23	64
	7	8.45	22	62
	8	8.59	22	63
	9	8.73	22	64
	10	8.86	21	62
	11	9.00	21	63
	12	9.14	21	64
	13	9.30	20	62
<input checked="" type="checkbox"/>	14	9.45	20	63
	15	9.60	20	64
	16	9.95	19	63
	17	10.11	19	64
	18	10.67	18	64



NOTES

---



---



---

You can download the set-up sheet from: [www.mcdracing.com/support](http://www.mcdracing.com/support)