



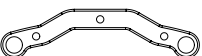
DIFFERENTIALS					
FRONT		CENTER		REAR	
LSD	OPEN	LSD	OPEN	LSD	OPEN
<input checked="" type="checkbox"/>	<input type="checkbox"/>	<input checked="" type="checkbox"/>	<input type="checkbox"/>	<input checked="" type="checkbox"/>	<input type="checkbox"/>
LSD Ramp		LSD Ramp		LSD Ramp	
60°	90° 120°	60°	90° 120°	60°	90° 120°
<input type="checkbox"/>	<input checked="" type="checkbox"/>	<input type="checkbox"/>	<input checked="" type="checkbox"/>	<input type="checkbox"/>	<input checked="" type="checkbox"/>

SHOCK SPRINGS		
FRONT	SOFT	REAR
<input checked="" type="checkbox"/>	<input type="checkbox"/>	<input checked="" type="checkbox"/>

TYRES			
Xross-Max		F <input checked="" type="checkbox"/> R <input checked="" type="checkbox"/>	
COMPOUND	F W R W		
<input type="checkbox"/>	<input checked="" type="checkbox"/>	<input type="checkbox"/>	<input type="checkbox"/>

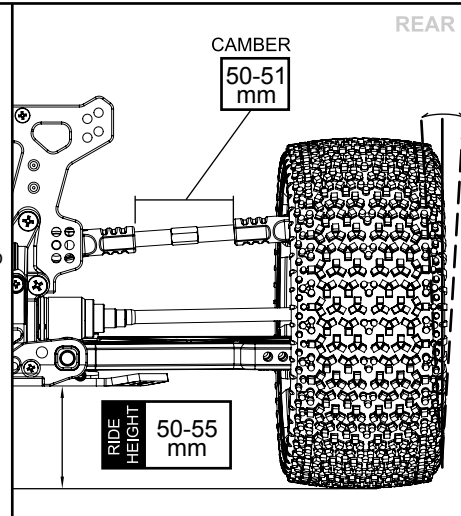
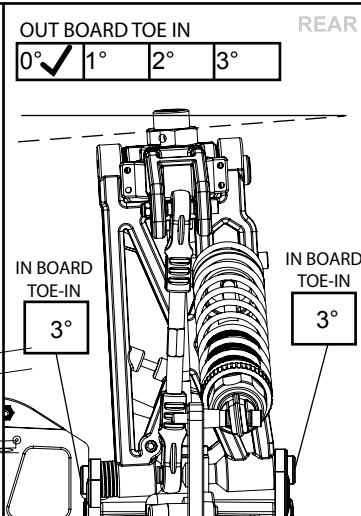
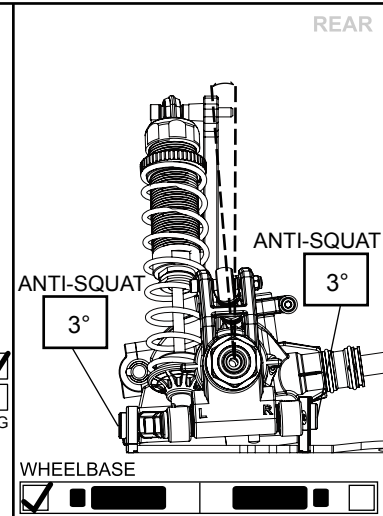
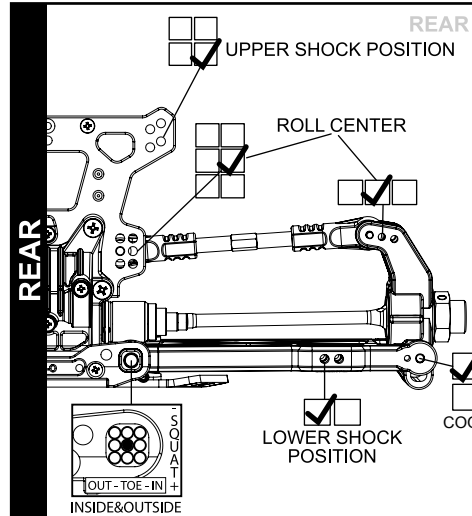
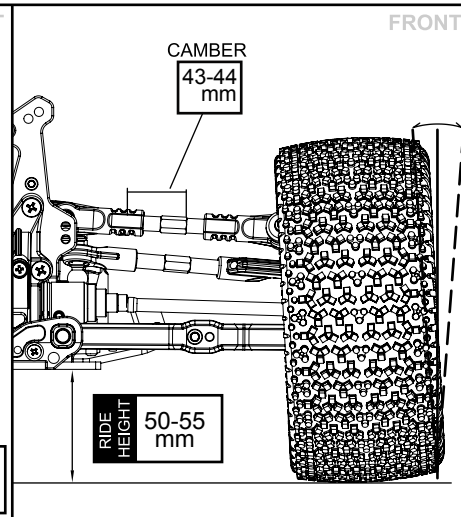
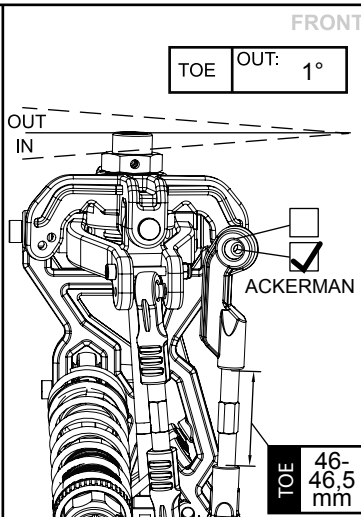
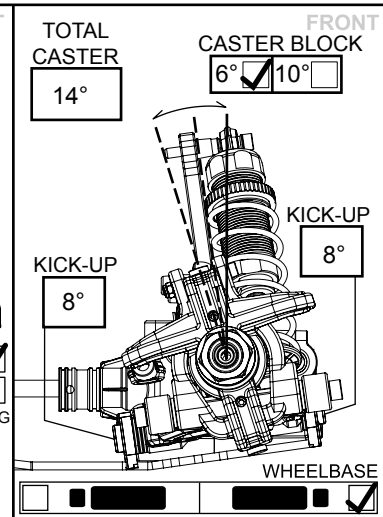
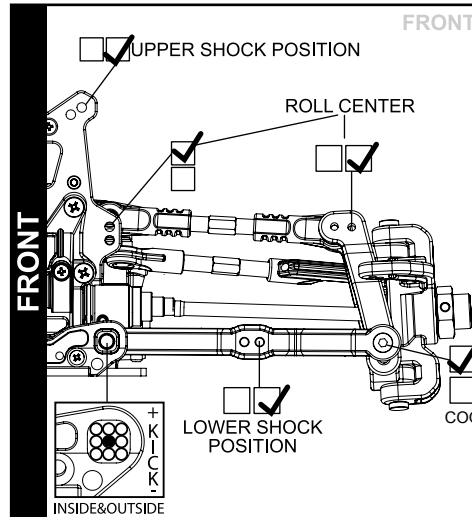
OIL VISCOSITY	
FRONT	REAR
1000	1000

PISTON HOLE SIZES	
FRONT	REAR
 3x2mm	 4x2mm

ACKERMAN	
short 	

ANTI-ROLL BAR			
FRONT	THICKNESS	REAR	
<input type="checkbox"/>	<input type="checkbox"/>	<input type="checkbox"/>	<input type="checkbox"/>

TRANSMISSION RATIO				
	Final Ratio	Engine	Center Diff	
	1	7.44	25	62
	2	7.75	24	62
	3	7.88	24	63
	4	8.09	23	62
	5	8.22	23	63
	6	8.35	23	64
	7	8.45	22	62
	8	8.59	22	63
	9	8.73	22	64
	10	8.86	21	62
	11	9.00	21	63
<input checked="" type="checkbox"/>	12	9.14	21	64
	13	9.30	20	62
	14	9.45	20	63
	15	9.60	20	64
	16	9.95	19	63
	17	10.11	19	64
	18	10.67	18	64



NOTES

You can download the set-up sheet from: www.mcdracing.com/support