

TRACK

SIZE: OPEN MEDIUM TIGHT
 TRACTION: HIGH MEDIUM LOW
 SURFACE: SMOOTH MEDIUM BUMPY
 TYPE: HARD PACKED SOFT DIRT CLAY
 BLUE GROOVE ASTRO TURF GRASS
 CONDITION: DRY DUSTY WET MUD
 TEMPRATURE: AIR: _____ TRACK: _____

DIFFERENTIALS

FRONT		CENTER			REAR	
LSD	OPEN	LSD	SOLID	LSD	OPEN	
<input type="checkbox"/>	<input type="checkbox"/>	<input type="checkbox"/>	<input type="checkbox"/>	<input type="checkbox"/>	<input type="checkbox"/>	<input type="checkbox"/>
LSD Ramp	LSD Ramp	LSD Ramp				
60° <input type="checkbox"/> 90° <input type="checkbox"/> 120° <input type="checkbox"/>	60° <input type="checkbox"/> 90° <input type="checkbox"/> 120° <input type="checkbox"/>	60° <input type="checkbox"/> 90° <input type="checkbox"/> 120° <input type="checkbox"/>				

SHOCK SPRINGS

FRONT		REAR
<input type="checkbox"/>	SOFT	<input type="checkbox"/>
<input type="checkbox"/>	MEDIUM	<input type="checkbox"/>
<input type="checkbox"/>	HARD	<input type="checkbox"/>
	OTHER	

OIL VISCOSITY

FRONT _____ REAR _____

PISTON HOLE SIZES

FRONT	PISTON HOLE SIZES				REAR
<input type="checkbox"/>	2x2mm <input type="checkbox"/>	4x2mm <input type="checkbox"/>	2x2mm <input type="checkbox"/>	4x2mm <input type="checkbox"/>	<input type="checkbox"/>
<input type="checkbox"/>	3x2mm <input type="checkbox"/>	5x2mm <input type="checkbox"/>	3x2mm <input type="checkbox"/>	5x2mm <input type="checkbox"/>	<input type="checkbox"/>

ACKERMAN

LESS STANDARD

ANTI-ROLL BAR

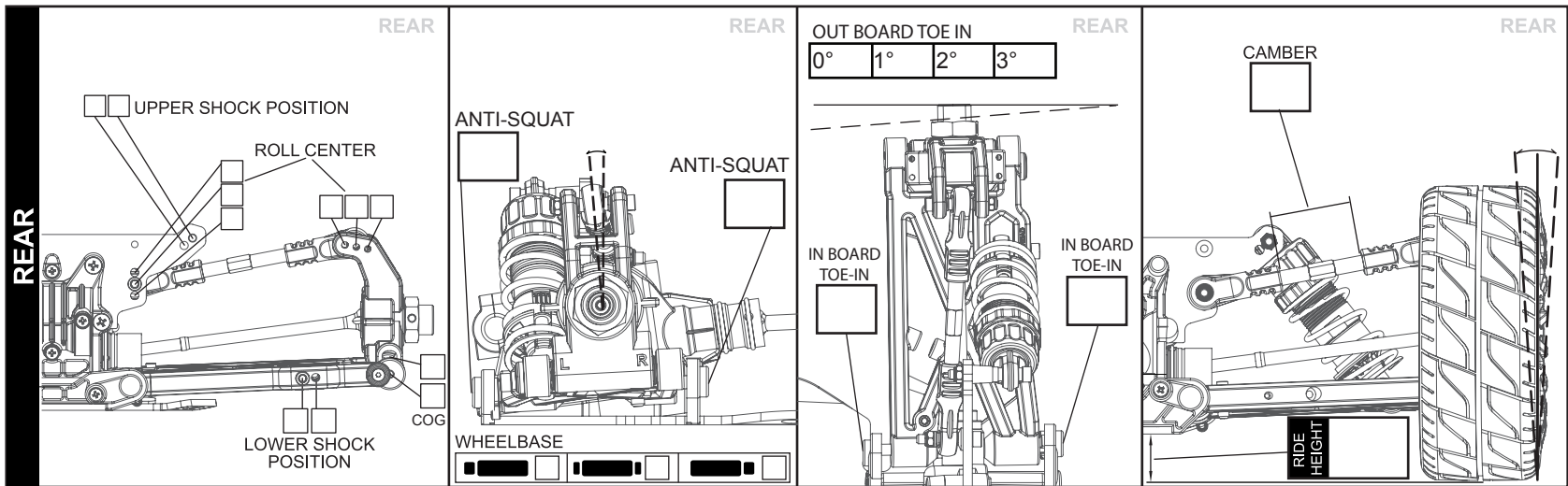
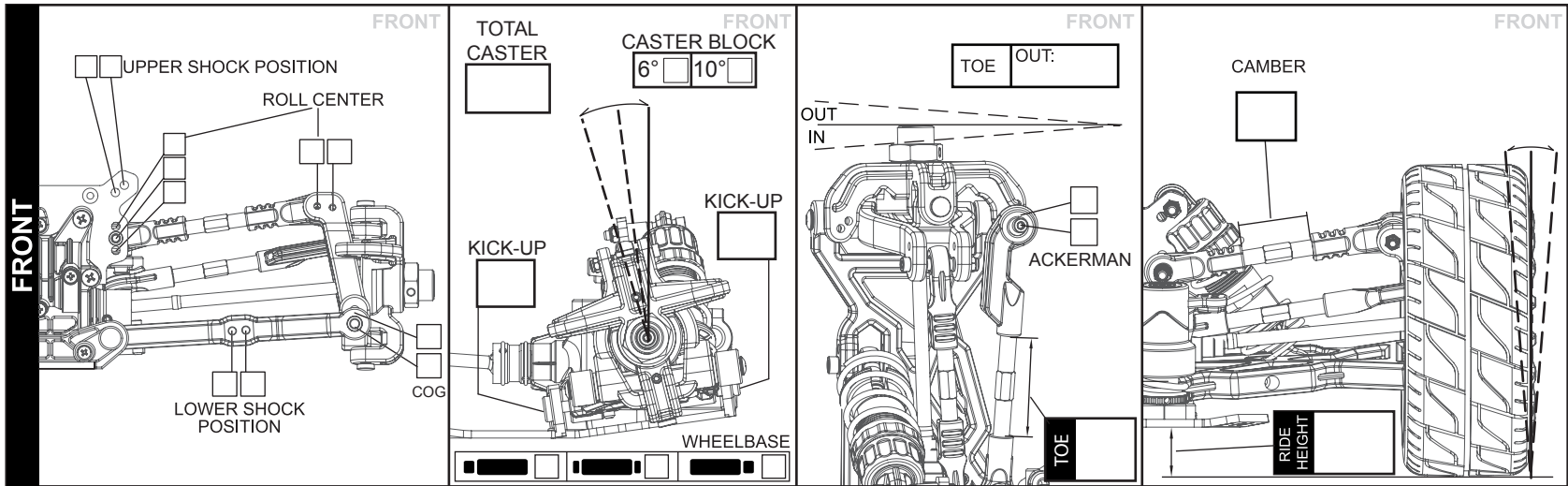
FRONT _____ THICKNESS _____ REAR _____

TRANSMISSION RATIO

	Final Ratio	Engine	Center Diff
1	7.44	25	62
2	7.75	24	62
3	7.88	24	63
4	8.09	23	62
5	8.22	23	63
6	8.35	23	64
7	8.45	22	62
8	8.59	22	63
9	8.73	22	64
10	8.86	21	62
11	9.00	21	63
12	9.14	21	64
13	9.30	20	62
14	9.45	20	63
15	9.60	20	64
16	9.95	19	63
17	10.11	19	64
18	10.67	18	64

NAME: _____

RACE: _____ DATE:/...../.....



TYRES

COMPOUND F _____ R _____

INSERT F _____ R _____

POWER UNIT

ENGINE: _____

CARBURATOR: H _____ L _____

PLUG: _____

OIL: _____

CLUTCH: _____

PIPE: _____

POSITION: _____ **BEST LAP:** _____

NOTES
