

TRACK

SIZE: OPEN MEDIUM TIGHT

TRACTION: HIGH MEDIUM LOW

SURFACE: SMOOTH MEDIUM BUMPY

TYPE: HARD PACKED SOFT DIRT CLAY
 BLUE GROOVE ASTRO TURF GRASS

CONDITION: DRY DUSTY WET MUD

TEMPERATURE: AIR: _____ TRACK: _____

DIFFERENTIALS

FRONT		CENTER		REAR	
LSD	OPEN	LSD	SOLID	LSD	OPEN
LSD Ramp		LSD Ramp		LSD Ramp	
60°	90°	120°	60°	90°	120°
<input type="checkbox"/>	<input type="checkbox"/>	<input type="checkbox"/>	<input type="checkbox"/>	<input type="checkbox"/>	<input type="checkbox"/>

SHOCK SPRINGS

FRONT	REAR
<input type="checkbox"/> SOFT	<input type="checkbox"/>
<input type="checkbox"/> MEDIUM	<input type="checkbox"/>
<input type="checkbox"/> HARD	<input type="checkbox"/>
<input type="checkbox"/> OTHER	<input type="checkbox"/>

OIL VISCOSITY

FRONT _____ REAR _____

PISTON HOLE SIZES

FRONT	REAR
2x2mm <input type="checkbox"/>	2x2mm <input type="checkbox"/>
3x2mm <input type="checkbox"/>	3x2mm <input type="checkbox"/>
4x2mm <input type="checkbox"/>	4x2mm <input type="checkbox"/>
5x2mm <input type="checkbox"/>	5x2mm <input type="checkbox"/>

ACKERMAN

LESS STANDARD

ANTI-ROLL BAR

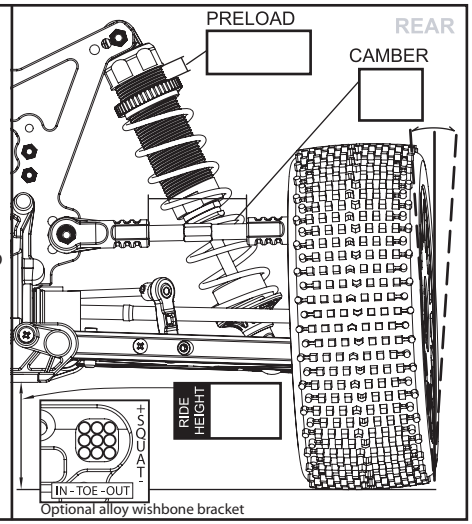
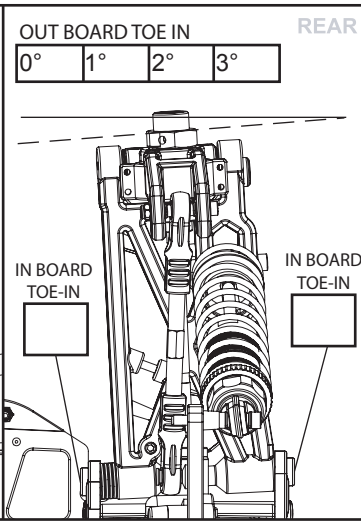
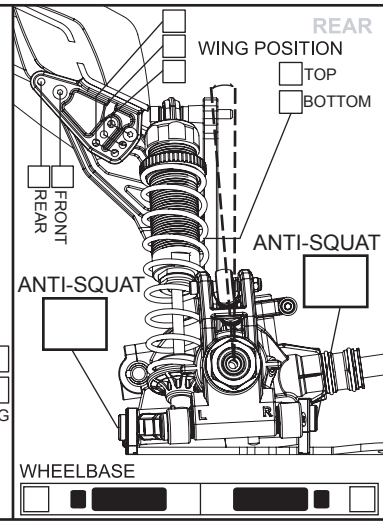
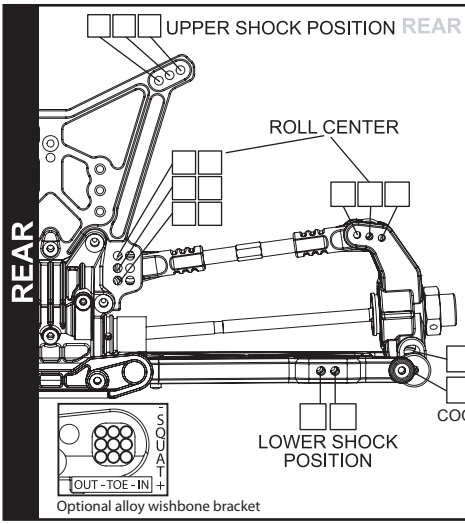
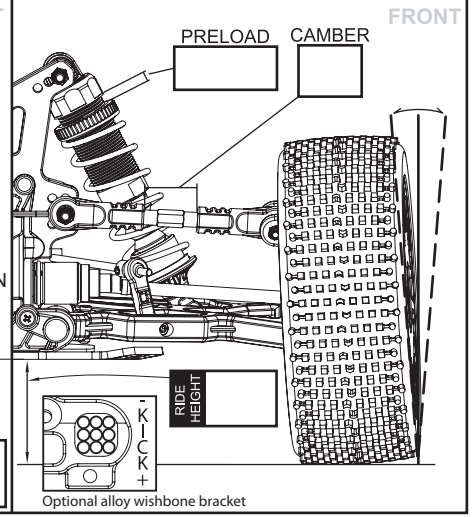
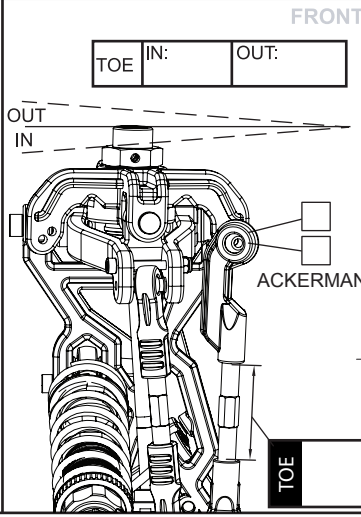
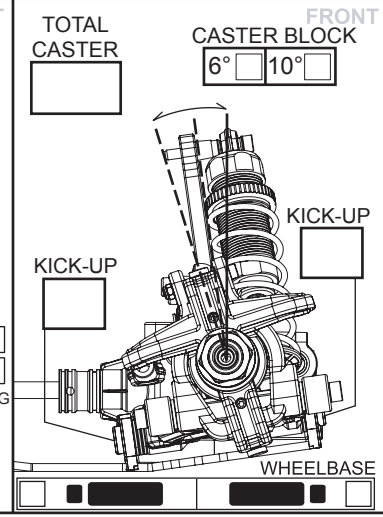
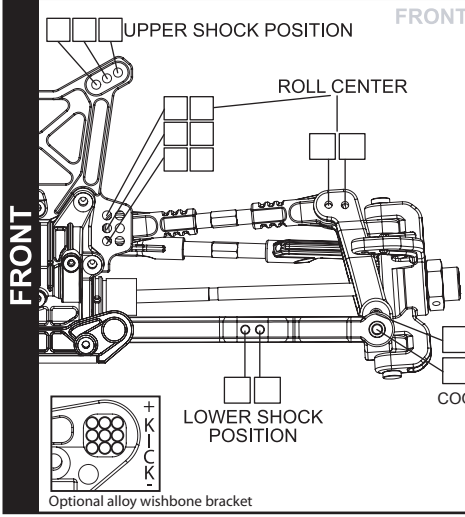
FRONT _____ THICKNESS _____ REAR _____

TRANSMISSION RATIO

	Final Ratio	Engine	Center Diff
1	7.44	25	62
2	7.75	24	62
3	7.88	24	63
4	8.09	23	62
5	8.22	23	63
6	8.35	23	64
7	8.45	22	62
8	8.59	22	63
9	8.73	22	64
10	8.86	21	62
11	9.00	21	63
12	9.14	21	64
13	9.30	20	62
14	9.45	20	63
15	9.60	20	64
16	9.95	19	63
17	10.11	19	64
18	10.67	18	64

NAME: _____

RACE: _____ DATE:/...../.....



TYRES

	F	R
MICRO-STUD	<input type="checkbox"/>	<input type="checkbox"/>
BLOCK-STUD	<input type="checkbox"/>	<input type="checkbox"/>
MICRO-PIN	<input type="checkbox"/>	<input type="checkbox"/>
ASTRO-GRIP	<input type="checkbox"/>	<input type="checkbox"/>
OTHER:	_____	
COMPOUND	F <input type="checkbox"/>	R <input type="checkbox"/>
INSERT	F <input type="checkbox"/>	R <input type="checkbox"/>

POWER UNIT

ENGINE: _____

CARBURATOR: _____

PLUG: _____

OIL: _____

CLUTCH: _____

PIPE: _____

POSITION: _____ BEST LAP: _____

NOTES
